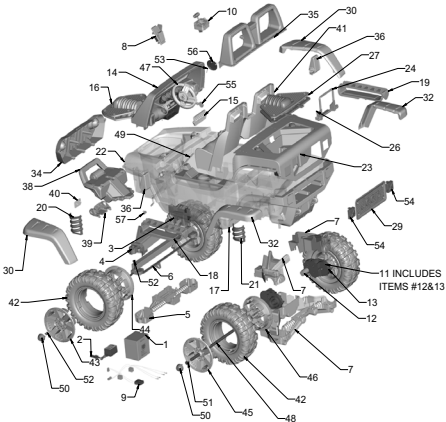


**K7112 Jeep Hurricane-Green  
(K9776 CAN)**

**12 Volt Advanced Series**

Age Range:	3+
Weight Limit:	130 lbs
Surfaces:	Ultimate Terrain
Speed:	2.5 Mph Forward/Reverse 5.0 Mph Forward
Colors:	Green Body/Orange Seat
Intro:	2006
Suggested Retail:	\$399.99
Box Dimensions:	28.4x32.4x51 -- 96 lbs
Warranty:	One Year Vehicle Six Months Battery



ITEM	PART #	DESCRIPTION	QTY	ITEM	PART #	DESCRIPTION	QTY
1	00801-1661	BATTERY, 12V (ORANGE TOP)	1 EA	29	N/A	MESH, REAR	1 EA
2	00801-0972	CHARGER 12V PROBE	1 EA	30	3800-8198	FRONT FENDER SET	1 EA
3	N/A	CONTROL ARM, FRONT RIGHT	1 EA	32	3800-7994	REAR FENDER SET	1 EA
4	N/A	CONTROL ARM, FRONT LEFT	1 EA	34	K7112-9709	GRILLE ASSEMBLY	1 EA
5	N/A	SUSPENSION, FRONT	1 EA	35	J4394-9759	ROLLBAR ASSEMBLY	1 EA
6	J4394-9010	STEERING LINKAGE ASSEMBLY	1 EA	36	3800-8256	MIRROR SET (LEFT & RIGHT)	1 EA
7	N/A	REAR SUSPENSION ASSEMBLY	2 EA	38	J4394-9899	BRUSH GUARD ASSEMBLY	1 EA
8	J4394-9309	FOOTBOARD ASSEMBLY	1 EA	39	J4394-6879	LICENSE PLATE FRAME	1 EA
9	<b>J4394-9799</b>	<b>WIRING HARNESS</b>	<b>1 EA</b>	40	00801-1518	LARGE PW-EMBLEM	1 EA
10	<b>J4394-9319</b>	<b>SHIFTER ASSEMBLY</b>	<b>1 EA</b>	41	J4394-9909	SEAT ASSEMBLY	1 EA
11	<b>00968-2917</b>	<b>#7 MOTOR/GEARBOX ASM</b>	<b>2 EA</b>	42	J4394-2529	WHEEL	4 EA
12	<b>00968-2706</b>	<b>#7 MOTOR/PINION ASM</b>	<b>2 EA</b>	43	3800-8223	BAGGED FRONT RIMS, OUTER/INNER	1 EA
13	<b>00968-2810</b>	<b>#7 GEARBOX ASM</b>	<b>2 EA</b>	44	*SEE # 43	BAGGED FRONT RIMS, OUTER/INNER	1 EA
14	3800-8263	WINDSHIELD/DASHBOARD W/RADIO	1 EA	45	3800-8224	BAGGED REAR RIMS, OUTER/INNER	1 EA
15	J4394-9559	BATTERY DOOR/SCREWS	1 EA	46	*SEE # 45	BAGGED REAR RIMS, OUTER/INNER	1 EA
16	J4394-9260	FALSE FRONT MOTOR ASSY W/MESH	1 EA	47	3800-8255	STEERING WHEEL ASSEMBLY	1 EA
17	N/A	CHASSIS	1 EA	48	J4394-4519	REAR AXLE	1 EA
18	N/A	RUNNING BOARD, LEFT	1 EA	49	J4394-4459	STEERING COLUMN	1 EA
19	N/A	RUNNING BOARD, RIGHT	1 EA	50	K7112-2959	HUBCAP	4 EA
20	N/A	FRONT SHOCK/SPRING	2 EA	51	J4394-2149	WHEEL RETAINER .750	2 EA
21	N/A	REAR SHOCK/SPRING	2 EA	52	00801-1621	FRONT AXLE CAP -437	4 EA
22	N/A	BODY	1 EA	53	00801-1565	STEERING PIN	1 EA
23	3800-8166	REAR CLIP	1 EA	54	J4394-2649	TAILLIGHTS	2 EA
24	3800-7809	BATTERY RETAINER	1 EA	55	J4394-2269	KEY	1 EA
26	00801-1200	SCREW, SELF TAPPING	2 EA	56	J4394-2789	STEERING WHEEL CAP	1 EA
27	N/A	FALSE REAR MOTOR ASSY W/MESH	1 EA	57	00801-1620	STEERING COLUMN CAP	1 EA
		<b>Parts Not Shown</b>		58	J4394-4419	CROSSBAR	1 EA
	J4394-4009	BUSHING SLEEVE	2 EA			<b>Parts Not Shown</b>	
	J4394-9269	HARDWARE BAG	1 EA		<b>00801-1566</b>	<b>FOOTSWITCH</b>	<b>1 EA</b>
	K7112-9160	PARTS BAG	1 EA		74440-5349	SEATBELT LAP STYLE	1 EA
	J4394-0310	MAIN LABEL SHEET	1 EA		J4394-0320	MYLAR LABEL	1 EA
	J4394-4509	FRONT AXLE	2 EA		J4394-9059	BATTERY LIFE INDICATOR	1 EA
	00801-0198	M3-.5 X 32 MM NYLOCK SCREW	2 EA		0081-0196	WASHER - 7/16"	2 EA
	<b>00801-0923</b>	<b>ROCKER SWITCH</b>	<b>2 EA</b>			3/17/2008 10:39	

**Bold and underlined parts are to be purchased and installed by Service Centers only. These items may not be sold directly to consumers by Service Centers or Fisher-Price.**