

Age Range: 2-6
 Weight Limit: 65 lbs.
 Surfaces: Grass/Asphalt & Other
 Hard Surfaces
 Speed: 3.5 For/Rev
 Colors: Blue Body/Gray
 Seat/Black Wheels
 Intro: 2005
 Suggested Retail: 179.99
 Box Dimensions
 :24.500 x 31.000 x 49.000
 61.5 lbs.
 Warranty One Year Vehicle
 6 Months Battery

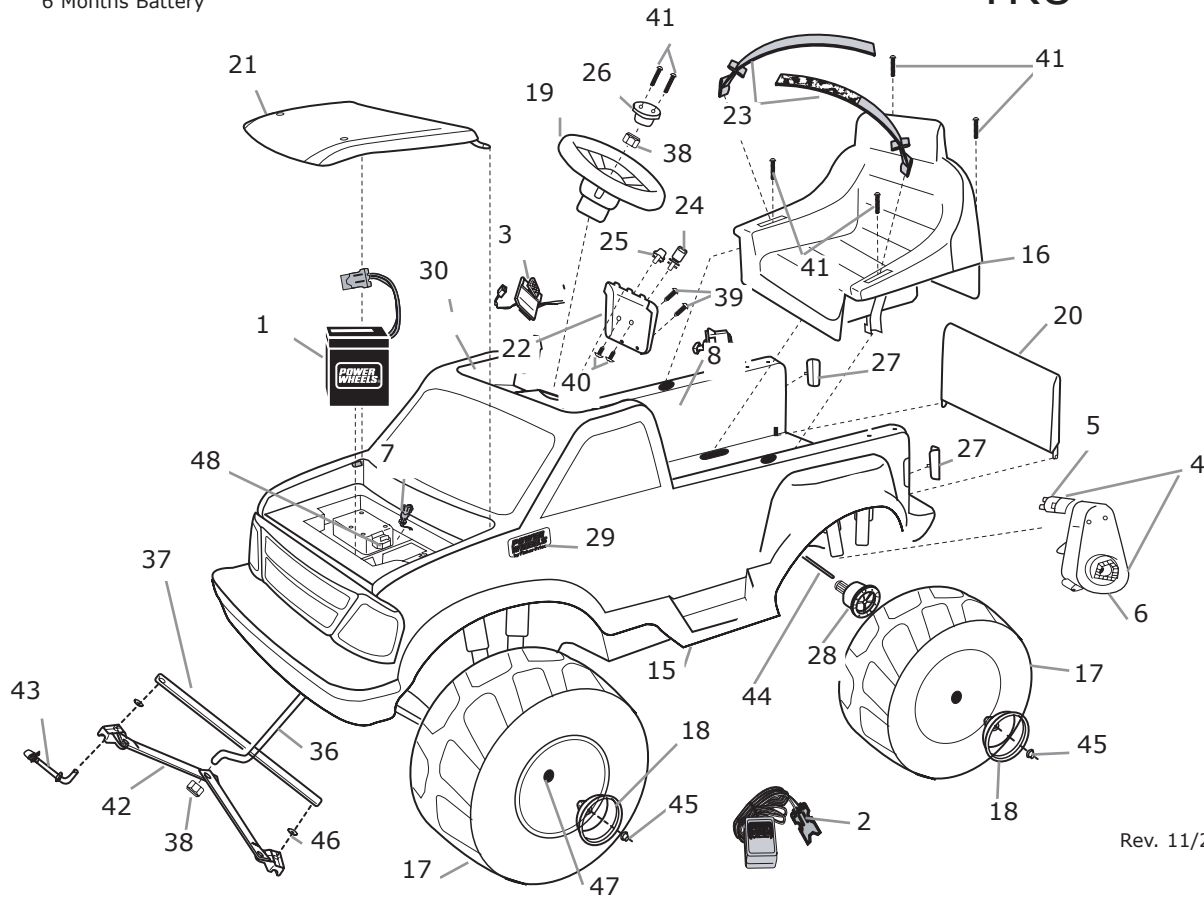


J5244

Blue Thunder Monster Truck

S6V Preschool Series

TRU



Rev. 11/23/05

Item No.	Description	Part No.	Qty. Item	Part	No. Qty.	Description	No.	
Working / Electrical Parts			30. Microphone	N/A	1	Parts Not Shown		
1.	S6V Battery	00801-0712	1			Large Parts Bag	J5244-9259 1	
2.	S6V Charger	00801-0974	1			Hardware Bag	J5244-9279 1	
3.	Footboard Assy.	J5244-9829	1			Owner's Manual	J5244-0920 1	
4.	Motorgearbox Assy	74180-9519	2	Hardware / Metal Parts			Decal Sheet	J5244-0310 1
5.	Motor Assembly	74580-9539	2	36. Steering Column	J5244-4459	1.	Footswitch (Plunger Type) 00801-0933 1	
6.	Gearbox Assembly	74550-9279	2	37. Cross Bar	74420-4259	1	Switch Control (Shift-Rock) 00801-0923 1	
7.	Main Harness Assy	78474-9889	1	38. 3/8-16 Lock Nut.	00905-0116	2	Cable Tie	3800-7424 1
8.	Shifter Assembly	78457-9539	1	39. 6 x 1/2 Screw	0801-0222	2	Channel Cover	74210-2039 1
Plastic / Other Parts			40. 6 x 3/8 Screw N/A	(Order Hardware Bag)		2	Assembly Tool	00801-1567 1
15.	Body	N/A	1	41. 8 x 1 Screw N/A	(Order Hardware Bag)			
16.	Seat	75548-2319	1	42. Steering Linkage Assy	J5244-9419	1		
17.	Wheel	74420-2459	4	43. Front Axle	74420-4509	2		
18.	Hubcap	78457-2079	4	44. Rear Axle	74420-4519	1		
19.	Steering Wheel	74440-2379	1	45. .437 Cap Nut	0801-0226	6		
20.	Tailgate	3800-7598	1	46. 7/16 Washer	0801-0196	2		
21.	Hood	3800-7957	1	47. 7/16 Round Bushing	74550-2689	2		
22.	Dash Cover	75548-2099	1	48. Battery Retainer Assy	75548-9409	1		
23.	Seat Belt Strap	3800-7979	2					
24.	Key	J5244-2049	1					
25.	Knob	J5244-2089	1					
26.	Steering Wheel Cap	74550-2729	1					
27.	Taillight Lens Set	74420-2059	1					
28.	Driver	74460-2249	2					
29.	PW Emblem	74460-9069	1					

N/A = Not Available

Bold and Underlined parts are to be purchased and installed by Service Centers only. These items may not be sold directly to consumers by Service Centers or Fisher-Price.