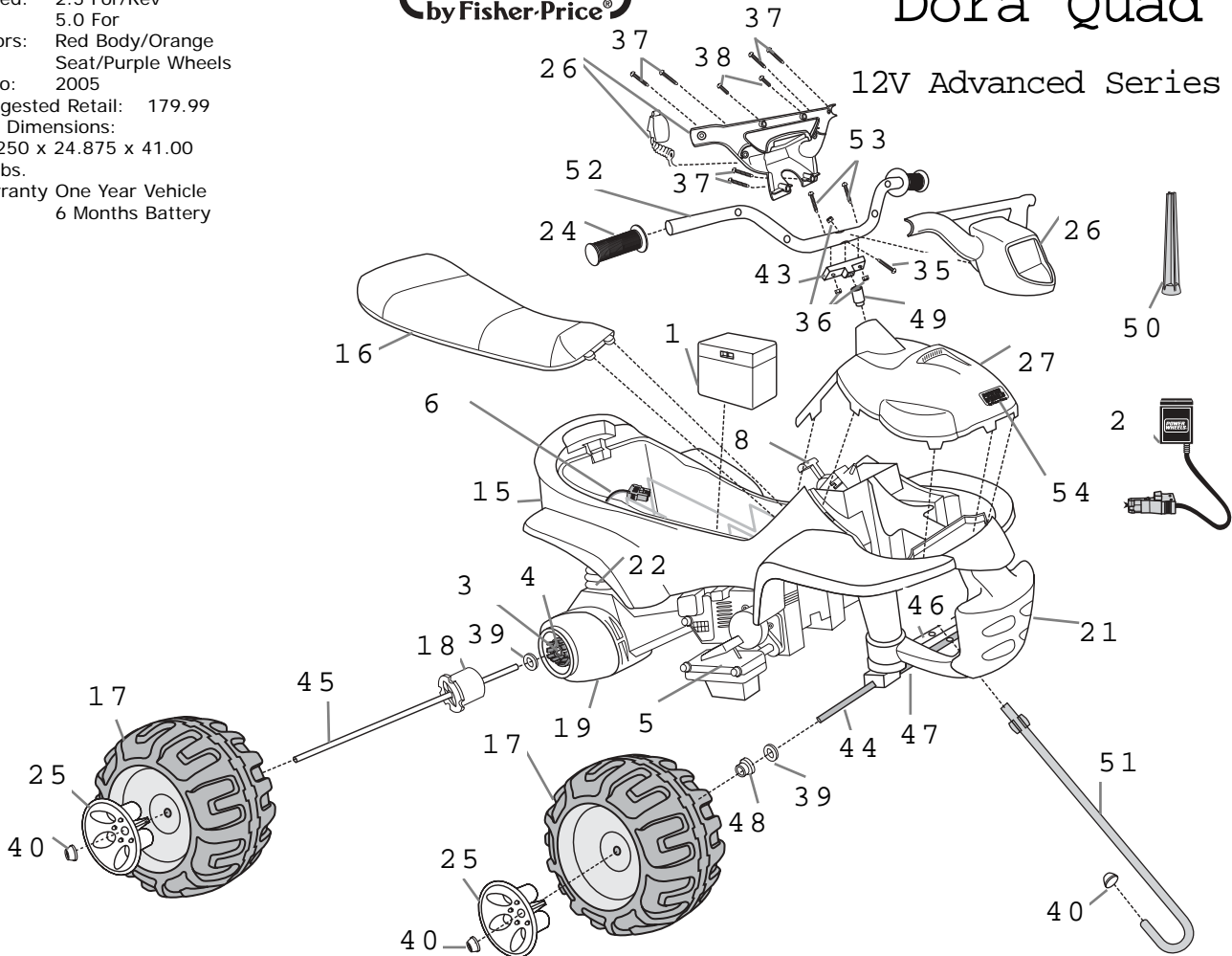


Age Range: 3 and up
 Weight Limit: 65 lbs.
 Surfaces: Grass/Asphalt
 and Other Hard Surfaces
 Speed: 2.5 For/Rev
 5.0 For
 Colors: Red Body/Orange
 Seat/Purple Wheels
 Intro: 2005
 Suggested Retail: 179.99
 Box Dimensions:
 19.250 x 24.875 x 41.00
 51 lbs.
 Warranty One Year Vehicle
 6 Months Battery



H7332-9993 Dora Quad

12V Advanced Series



Edited 06/28/05

Item No.	Description	Part No.	Qty. Item	Part	No. Qty.	Description	No.				
Working / Electrical Parts				Hardware / Metal Parts				Parts Not Shown			
1.	12V Battery	00801-0638	1	35.	10 x 3/4 Screw	N/A	1	Large Parts Bag	H7332-9269	1	
2.	12V Charger w/Probe	00801-0972	1		(Order Hardware Bag)			Hardware Bag	C7478-9289	1	
3.	Motor Gearbox Assm	00968-2912	2	36.	#10 Lock Nut	N/A	3	Owners Manual	H7332-0920	1	
4.	Gearbox W/out Motor	00968-2802	2		(Order Hardware Bag)			Decal Sheet	H7332-0310	1	
5.	Footboard Assembly	H7332-9169	1	37.	#6 x 1 Screw	N/A	6	Switch Control (Shift.-Rock)	00801-0923	1	
6.	Main Harness Assm	C7478-9799	1		(Order Hardware Bag)			Footswitch (Plunger Type)	00801-0933	1	
8.	Shifter Assembly	74310-9239	1	38.	#6 x 1/2 Screw	00912-6002	2	Motor Pinion Assembly	00968-2702	2	
Plastic / Other Parts				39.	7/16 Washer	0801-0196	4	Shifter w/Harness Assy	73690-9679D	1	
15.	Body	N/A		40.	.437 Cap Nut	0801-0226	5	False Motor Cover Left	H7332-2069	1	
16.	Seat	H7332-2309	1	43.	Metal Neck	73690-4289	1	Footrest	H7332-2189	1	
17.	Wheel	H7332-2469	4	44.	Front Axle	73690-4509	2	Adhesive Clip for Harness	0801-0313	1	
18.	Wheel Driver	74460-2249	2	45.	Rear Axle	73690-4549	1				
19.	False Motor Cover Right	H7332-2059	1	46.	Crossbar	73690-4649	1				
21.	Brushguard	H7332-2079	1	47.	Steering Linkage Assy.	74110-9239	1				
22.	Shock Boot	H7332-2089	2	48.	7/16 Round/Axle Bushing	74550-2689	2				
24.	Handgrip	H7332-2229	2	49.	Steering Column Bushing	78476-2259	1				
25.	Hubcap	H7332-2579	4	50.	Cap Nut Tool	78640-2629	1				
26.	Handlebar Cover w/Micr	H7332-9105D	1	51.	Steering Column	C7478-4019	1				
27.	Cowling	H7332-2099	1	52.	Handlebar	74282-4219	1				
				53.	#10 x 1 5/8 Screw	N/A	2				
					(Order Hardware Bag)						
				54.	PW Emblem	74460-9069	1				

N/A = Not Available

Bold and underlined parts are to be purchased and installed by Service Centers only. These items may not be sold directly to consumers by Service Centers or Fisher-Price.