

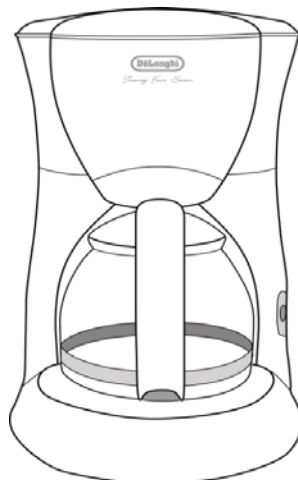


Instruction Manual  
**Coffee Maker**

Manual de instrucciones  
**de cafetera automática**

Mode D'emploi  
**Cafetière**

Manuale di istruzioni  
**Macchine da caffè**



**DC500 Series / Serié**

Read and Save These Instructions  
Lisez et conservez ces instructions  
Guardar estas instrucciones después de haberlas leído.  
Leggete e conservate queste istruzioni

## **IMPORTANT SAFEGUARDS**

When using electrical appliances, basic safety precautions should always be followed to reduce the risk of fire, electrical shock and/or personal injury.

1. Read all instructions carefully.
2. Do not touch hot surfaces. Use the handle on the carafe.
3. To protect against electrical shock, do not place cord, plug or coffee maker in water or other liquid.
4. Close supervision is necessary when any appliance is used by or near children.
5. Unplug from outlet when not in use and before cleaning. Allow to cool before putting on or taking off parts, and before cleaning the appliance.
6. Do not operate any appliance with a damaged cord or plug or after the appliance malfunctions or has been damaged in any manner. Return appliance to authorized service facility for examination, repair or adjustment.
7. The use of accessory attachments is not recommended by the manufacturer. It may be dangerous and should be avoided.
8. Do not use outdoors.
9. Do not let cord hang over edge of table or counter, or touch hot surfaces.
10. Do not place on or near hot gas or electric burner, or in heated oven.
11. Always plug cord into the wall outlet before turning on any controls. To disconnect turn power OFF, then remove plug from wall outlet.
12. Always use cold water to make coffee. Warm water or other liquids could cause damage to the coffee maker.
13. Scalding may occur if the cover is lifted or removed during the brewing cycle.
14. Do not use this appliance for other than intended use.
15. Do not set a hot carafe on a wet or cold surface.
16. Do not place hot carafe on or near paper, cloth or other flammable material.
17. Never use the carafe on a range top or in a microwave oven.
18. Do not allow liquid to evaporate from carafe. Do not heat carafe when empty.
19. Do not move entire unit when carafe contains hot liquid.
20. Use the lid on the carafe while brewing and pouring coffee.
21. Discard carafe if damaged in any manner, or a carafe having a loose or weakened handle. A chip or crack could result in breakage or contaminate liquid contents with glass particles.
22. Do not clean carafe with scouring powders, steel wool pads or other abrasive materials.
23. This carafe is designed for use with this coffee maker only.

**IMPORTANT SAFEGUARDS (continued)**

- 24. **WARNING:** To reduce the risk of fire or electrical shock, do not remove the bottom cover. No user serviceable parts inside. Repairs should be performed by authorized service personnel only. **CAUTION:** Do not immerse in any liquid.

**RATED FOR COMMERCIAL (U.S. Only) AND  
HOUSEHOLD USE**

**SHORT CORD INSTRUCTIONS**

A short power cord is provided to reduce the risk resulting from entanglement or tripping over a longer cord. Longer detachable power supply cords are available and may be used if care is exercised in their use. If a longer detachable power cord or extension cord is used (1) the marked electrical rating of the extension cord should be at least as great as the electrical rating of the appliance, and (2) the longer cord should be arranged so that it will not drape over the countertop or table top where it can be pulled on by children or tripped over unintentionally. The electrical rating of the appliance is listed on the bottom of the unit. If the appliance is of the grounded type, the extension cord should be a grounded type 3 wire cord. This appliance has a polarized plug. One blade is wider than the other. To reduce the risk of electrical shock this plug will fit in a polarized plug only one way. If the plug does not fit, contact a qualified electrician. Do not attempt to modify the plug in any way.

**WARNING: TO REDUCE THE RISK OF FIRE OR ELECTRICAL SHOCK, DO NOT REMOVE THE BOTTOM COVER. NO USER SERVICEABLE PARTS INSIDE. REPAIRS SHOULD BE PERFORMED BY AUTHORIZED SERVICE PERSONNEL.**  
**CAUTION: DO NOT IMMERSE UNIT IN LIQUID.**

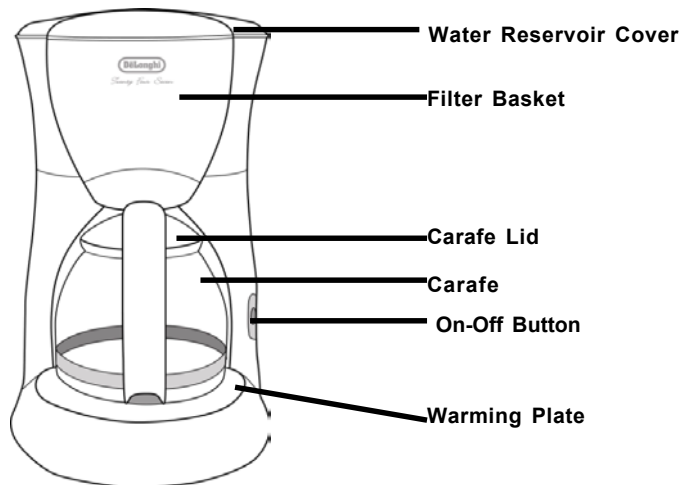
## BEFORE FIRST USE

Place the box on a large, sturdy flat surface. Carefully unpack your coffee maker and remove all packaging material and literature. Remove any labels or stickers from the coffee maker. To remove any dust that may have accumulated during packaging, you may wipe the unit with a clean, damp cloth. Dry thoroughly. Do not immerse the coffee maker in water or other liquid. Clean the carafe, carafe lid, filter basket and filter in warm water with mild detergent. Rinse and dry thoroughly. Do not use harsh or abrasive cleaners. (See "Cleaning Your Coffee Maker" section of this manual for detailed instructions.) Keep all plastic bags away from children.

**NOTE:** We recommend that prior to brewing your first pot of coffee, operate the coffee maker once or twice with water only, without ground coffee. This will remove any dust that may have settled inside the coffee maker, which may affect the flavor of the coffee. **IMPORTANT:** Use cold water only. The automatic drip system works best with cold water.

## KNOW YOUR COFFEE MAKER

FIGURE 1



.....

**KNOW YOUR COFFEE MAKER (continued)**

**FEATURES:**

1. 2-HOUR AUTOMATIC SHUT-OFF: For safety, this coffee maker is equipped with an auto shut-off feature. The coffee maker shuts off automatically 2 hours after the brewing cycle is completed. To restart the coffee maker, simply press the ON-OFF button and the ON-OFF light will illuminate.
2. PAUSE 'N SERVE: Allows you to interrupt the brewing cycle and pour a cup of coffee before the entire carafe is finished brewing. To restart the brewing process, return the carafe to warming plate and coffee will automatically begin flowing through filter basket. Make sure carafe is placed all the way on the warming plate. **CAUTION:** Do not remove carafe for longer than 30 seconds or the filter basket will overflow.
3. SEALED CARAFE: Carafe lip and lid seal help to preserve coffee's natural flavor and temperature by preventing excessive evaporation.
4. EASY POUR CARAFE: Uniquely designed carafe with all-around lip and traditional pour spout allow you to conveniently pour from any side. Cup markings on each side of the handle make it easier to measure the water level when filling the carafe.
5. NON-STICK WARMING PLATE: Makes cleanup quick and easy.
6. CORD STORAGE: Hidden cord storage allows you to hide excess cord for a neat appearance and for easy storage.
7. FILTER BASKET WITH HANDLE: Cone shaped filter basket enriches flavor and prevents bitter taste. A permanent, washable filter is included.

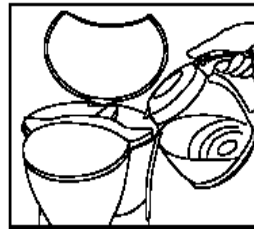
## OPERATING YOUR COFFEE MAKER

### PREPARING COFFEE MAKER FOR BREWING COFFEE:

1. Place the coffee maker on a flat, level surface away from any edge.
2. Plug the unit into a 120V / 60Hz only outlet.
3. The lid of the carafe must be fitted properly during the brewing process. And the carafe must be set on the warming plate.

### FILLING THE WATER RESERVOIR: Figure 2

4. Open the hinged water reservoir cover located at the top of the coffee maker.
5. Fill the carafe with cold water corresponding to the desired cups of coffee you will be brewing. Cup markings are indicated on the handle of the carafe.



6. Empty the water from the carafe into the water reservoir, located behind the filter basket holder. **NOTE: FIGURE 2**  
The automatic brewing system has been designed to work with cold water only.

**NOTE:** The amount of brewed coffee after the brewing process is complete will always be slightly less than the amount of water placed in the coffee maker's water reservoir, since some water is absorbed by the coffee grounds and filter. Add a little extra water at the beginning so that you have the exact number of cups desired.

### PREPARING THE COFFEE:

7. The included permanent filter may be used instead of a paper filter. If using paper filters, insert a #4 cone-shaped filter into the filter basket before filling with coffee grounds. Place the filter (permanent or paper) into the removable filter basket. Place the desired amount of coffee grounds into the filter. **NOTE:** We recommend using coffee grounds specifically for automatic drip coffee makers. We suggest one tablespoon of ground coffee for each cup of coffee being brewed. After using your drip coffee maker a few times you may adjust the amount to suit your own taste.
8. Return the filter basket with the coffee-filled filter to the filter basket holder. Be sure that the filter basket is seated properly in the filter basket holder.
9. Close the hinged water reservoir cover. Place the carafe with the lid in place on the warming plate.

## OPERATING YOUR COFFEE MAKER (continued)

10. Press the ON-OFF button (located on the side). It will illuminate indicating that the coffee maker is "on" and that the brewing process has started. Coffee is ready when "bubbling" sound and dripping have completely stopped. **NOTE:** The unit will automatically switch off after 2 hours if not shut off manually. To shut the unit off manually, press the ON-OFF button again.
11. **NOTE:** If you would like a cup of coffee before the full pot is brewed, the Pause 'N Serve feature allows you to interrupt the brewing process. The brewing process does not stop during this period; only the flow of coffee from the basket. Do not remove the carafe for longer than 30 seconds or the coffee may overflow from the basket stops. While we offer this feature, we do not recommend you pour the coffee before the cycle has reached completion, since the coffee brewed at the beginning of the cycle has a flavor which is very different from the flavor at the end of the cycle. Removing a cup during the brewing cycle will alter the flavor of the finished pot.
12. To keep remaining coffee warm, return carafe to warming plate after serving.
13. Press the ON / OFF button to turn the unit "off" when the carafe is empty or when the coffee maker is not in use. After the brewing cycle is complete, discard the grounds and rinse the permanent filter and filter basket thoroughly with water. (See "Cleaning Your Coffee Maker" section of this manual for more details). If a paper filter was used, be sure to discard the paper filter immediately after use. Always unplug the coffee maker from the electrical outlet after every use.
14. **NOTE:** Never operate your coffee maker without the carafe lid in place on the carafe. Doing so will cause your coffee maker to overflow.

## HINTS FOR GREAT TASTING COFFEE

1. A clean coffee maker is essential for making great tasting coffee. Regular cleaning is recommended, as specified in the "Cleaning Your Coffee Maker" section of this manual.
2. Always use fresh, cold water in your coffee maker.
3. Fine grind coffee promotes fuller extraction and provides rich, full-tasting coffee. Regular grind will require slightly more coffee grounds per cup to provide the strength of a finer grind.
4. Store coffee grounds in a cool, dry place. Once coffee has been opened, keep it tightly sealed in refrigerator to maintain freshness.
5. For optimum coffee, buy whole beans and grind them just before brewing.
6. Do not reuse coffee grounds since this will lessen coffee flavor.
7. Reheating coffee is not recommended. Coffee is at its peak flavor immediately after brewing.
8. Small oil droplets on the surface of brewed black coffee are due to the extraction of oil from the coffee grounds. Oiliness may occur more frequently if heavily roasted coffees are used. Over-extraction may also cause oiliness, indicating a need to clean your coffee maker.

## CLEANING YOUR COFFEE MAKER

1. **CAUTION:** Make sure your coffee maker is unplugged before attempting to clean. To protect against electric shock, do not immerse cord, plug or unit in water or other liquid.
2. The outside of your coffee maker can be cleaned by wiping the surface with a damp, soft cloth. **CAUTION:** Never immerse the coffee maker in water or other liquid. The warming plate can be wiped with a clean, damp cloth as necessary. Be sure to wait a couple hours after the coffee maker has been turned "off" and unplugged before cleaning the warming plate, to allow time to cool.
3. Clean inside of coffee maker with a damp cloth and mild detergent. Do not use harsh abrasives or scouring pads on carafe.
4. Carafe, carafe lid and removable filter basket may be washed by hand with warm, soapy water or placed in the top rack of the dishwasher. Do not place any other parts of the coffee maker in the dishwasher. Wash all other detachable parts by hand with warm, soapy water and then rinse and dry thoroughly.
5. To clean the permanent filter, empty the grounds and rinse and dry thoroughly.



**CLEANING YOUR COFFEE MAKER (continued)**

6. Do not clean the inside of the water reservoir with a cloth as the cloth may have a lint residue that could clog the coffee maker. Just rinse with cold water periodically.
7. For stubborn stains, use a nylon or plastic pad with a non-abrasive cleanser. Do not use metal scouring pads or abrasive cleansers.
8. Calcium deposits may build up in the coffee maker as a result of minerals commonly found in drinking water. The build-up is normal and may result in a slow down of the coffee maker's brewing time. The slow down can be eliminated by periodically decalcifying the coffee maker.
9. To decalcify, fill the carafe with cold water and two tablespoons of white vinegar. Pour the solution into the water reservoir, and then close the lid. Place the carafe on the warming plate and allow the coffee maker to brew the vinegar solution. While decalcifying, do not use a filter in the filter basket. When the vinegar solution has finished brewing, empty the carafe and rinse it out with cold water. Refill the water reservoir with cold water only and run another brew cycle to remove any remaining vinegar solution. Repeat if necessary. We recommend that you decalcify the machine 4 times a year.

## PRÉCAUTIONS IMPORTANTES

Lorsque vous utilisez des appareils électriques, vous devriez toujours respecter des précautions élémentaires pour réduire les risques d'incendie, d'électrocution ou de blessures.

1. Lisez soigneusement toutes les instructions.
2. Ne touchez pas les surfaces chaudes. Utilisez la poignée de la verseuse.
3. Pour vous protéger des électrocutions, ne plongez pas le cordon, la fiche ou l'appareil dans l'eau ou dans un autre liquide.
4. Une surveillance attentive est nécessaire lorsqu'un appareil est utilisé en présence d'enfants.
5. Débranchez l'appareil de la prise électrique lorsqu'il n'est pas en service ou avant de le nettoyer. Laissez-le refroidir avant d'y replacer ou d'en retirer des pièces et avant de le nettoyer.
6. N'utilisez aucun appareil qui a été endommagé, dont la fiche ou le cordon électrique est abîmé ou dont le fonctionnement est anormal. Retournez l'appareil à un centre de réparation autorisé pour y être examiné, réparé ou réglé.
7. L'utilisation d'accessoires n'est pas recommandée par le fabricant. Cela pourrait être dangereux et devrait être évité.
8. Ne l'utilisez pas à l'extérieur.
9. Ne laissez pas le cordon électrique pendre sur le côté d'une table ou d'un comptoir et ne le laissez pas toucher des surfaces chaudes.
10. Ne la placez pas à proximité d'un brûleur électrique ou à gaz chaud ou dans un four chaud.
11. Branchez toujours le cordon dans la prise électrique murale avant d'allumer les commandes. Pour débrancher la cafetière, éteignez-la d'abord (en position OFF) puis débranchez la fiche de la prise murale.
12. Utilisez toujours de l'eau froide pour faire du café. De l'eau tiède ou d'autres liquides pourraient endommager la cafetière.
13. Vous risquez de vous ébouillanter si le couvercle est soulevé ou retiré pendant le cycle d'infusion.
14. N'utilisez pas cet appareil à des fins autres que son utilisation prévue.
15. Ne placez pas la verseuse chaude sur une surface mouillée ou froide.
16. Ne placez pas la verseuse chaude près ou sur du papier, du tissu ou d'autres matériaux inflammables.
17. N'utilisez jamais la verseuse sur une cuisinière ou dans un four à micro-ondes.
18. Ne permettez pas au liquide de s'évaporer de la verseuse. Ne faites pas chauffer la verseuse lorsqu'elle est vide.
19. Ne déplacez pas l'appareil entier lorsque la verseuse contient un liquide chaud.
20. Laissez le couvercle sur la verseuse lorsque vous préparez le café et lorsque vous le versez.
21. Jetez la verseuse si elle est endommagée ou si sa poignée est lâche ou abîmée. Une verseuse ébréchée ou fissurée pourrait se casser ou contaminer le contenu liquide avec des morceaux de verre.
22. Ne nettoyez pas la verseuse avec des poudres à récurer, des tampons en laine de fer ou d'autres matériaux abrasifs.

## PRÉCAUTIONS IMPORTANTES (suite)

23. Cette verseuse est conçue pour être utilisée uniquement avec cette cafetière.
24. **AVERTISSEMENT** : Pour réduire les risques d'incendie ou d'électrocution, ne retirez pas le couvercle du fond de la cafetière. Il ne contient aucune pièce réparable par l'utilisateur. Les réparations devraient être effectuées uniquement par un personnel agréé. **ATTENTION** : Ne la plongez pas dans un liquide.

## POUR UTILISATION COMMERCIALE (AUX É.-U. UNIQUEMENT) ET RÉSIDENTIELLE

### INSTRUCTIONS SPÉCIALES POUR LE CORDON ÉLECTRIQUE

Le cordon électrique est court pour réduire les risques d'entortillement et de trébuchement associés à un cordon électrique plus long. Un prolongateur peut être utilisé s'il est utilisé avec soin. Cependant, en cas d'utilisation d'un prolongateur, son régime électrique devrait être au moins aussi grand que celui de l'appareil. Le prolongateur devrait être disposé afin qu'il ne pende pas du comptoir ou de la table là où il pourrait être tiré par des enfants ou faire trébucher quelqu'un par accident. Le régime électrique de la cafetière est inscrit sur le panneau inférieur de l'appareil.

Cet appareil possède une fiche polarisée (une branche est plus large que l'autre). À titre de sécurité, cette fiche ne peut être insérée que d'une seule façon dans une prise murale. Si elle ne s'insère complètement dans un sens ou dans l'autre, contactez un électricien qualifié pour faire remplacer la prise obsolète. N'essayez en aucun cas d'en modifier les branches.

**AVERTISSEMENT : POUR RÉDUIRE LES RISQUES D'INCENDIE OU D'ÉLECTROCUTION, NE RETIREZ PAS LE COUVERCLE INFÉRIEUR. IL NE CONTIENT AUCUNE PIÈCE RÉPARABLE PAR L'UTILISATEUR. LES RÉPARATIONS DEVRAIENT ÊTRE EFFECTUÉES UNIQUEMENT PAR UN PERSONNEL AGRÉÉ.**  
**ATTENTION : NE PLONGEZ PAS L'APPAREIL DANS UN LIQUIDE.**

### AVANT LA PREMIÈRE UTILISATION

Placez la boîte sur une grande surface solide et horizontale. Déballez soigneusement votre cafetière et retirez-en tous les matériaux d'emballage et toute la documentation. Retirez toutes les étiquettes et tous les autocollants de la cafetière. Pour retirer la poussière qui a pu s'accumuler pendant l'emballage, vous pouvez essuyer l'appareil avec un chiffon propre et humide. Séchez-le bien. Ne plongez pas la cafetière dans l'eau ou dans un autre liquide. Nettoyez la verseuse, le couvercle de la verseuse, le panier à filtre et le filtre à l'eau tiède avec un détergent doux. Rincez bien et séchez bien. N'utilisez pas de produits de nettoyage rêches ou abrasifs. (Consultez la section « Nettoyage de la cafetière » dans ce manuel pour des instructions plus détaillées.) Gardez tous les sacs en plastique hors de portée des enfants.

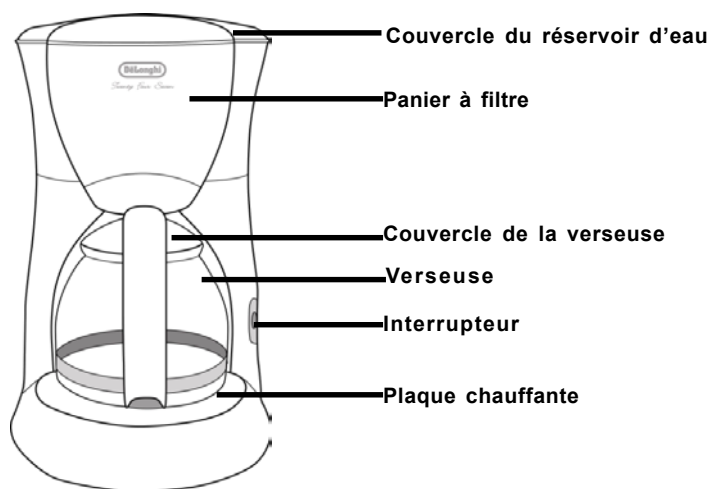
## AVANT LA PREMIÈRE UTILISATION (suite)

**REMARQUE** : Avant de préparer votre première tasse de café, nous vous recommandons de faire fonctionner votre cafetière une ou deux fois en utilisant uniquement de l'eau, sans café moulu. Cela éliminera toute la poussière qui aurait pu s'accumuler dans la cafetière et qui pourrait gâcher le goût du café.

**IMPORTANT** : Utilisez uniquement de l'eau froide. Le système de perfusion automatique fonctionne mieux avec de l'eau froide.

## VOTRE CAFETIÈRE

FIGURE 1



## VOTRE CAFETIÈRE (suite)

### FONCTIONS :

1. **ARRÊT AUTOMATIQUE APRÈS 2 HEURES** : Pour votre sécurité, cette cafetière est équipée d'une fonction d'arrêt automatique. La cafetière s'éteint automatiquement 2 heures après la fin du cycle de préparation. Pour la rallumer, appuyez simplement deux fois sur le bouton MARCHÉ-ARRÊT (ON/OFF) et le voyant MARCHÉ/ARRÊT (ON/OFF) s'allume.
2. **PAUSER ET SERVIR (PAUSE 'N SERVE)** : Cette fonction vous permet d'interrompre le cycle d'infusion et de verser une tasse de café avant que la verseuse soit remplie. Pour redémarrer le cycle d'infusion, replacez la verseuse sur la plaque de la verseuse et le café commencera automatiquement à couler au travers du panier à filtre. Veillez à placer la verseuse complètement sur la plaque de la verseuse. **ATTENTION** : Si vous retirez la verseuse de la plaque de la verseuse pendant plus de 30 secondes, le panier à filtre pourrait déborder.
3. **VERSEUSE SCELLÉE** : Le couvercle de la verseuse et le joint d'étanchéité du couvercle permettent de préserver l'arôme naturel et la température du café en empêchant une évaporation excessive.
4. **VERSEUSE PRATIQUE** : Cette verseuse de forme unique avec son rebord circulaire et son bec traditionnel vous permet de verser pratiquement de n'importe quel côté. Avec les repères de tasses sur chaque côté de la poignée, il est plus facile de mesurer la quantité d'eau lorsque vous remplissez la verseuse.
5. **PLAQUE CHAUFFANTE ANTIADHÉSIVE** : Rend le nettoyage rapide et facile.
6. **RANGEMENT DU CORDON** : La longueur de cordon inutilisé peut être facilement rangée hors de vue et donner à la cafetière une apparence soignée.
7. **PANIER À FILTRE AVEC POIGNÉE** : Le panier à filtre conique enrichit l'arôme et élimine l'amertume. Un filtre permanent lavable est inclus.

## UTILISATION DE VOTRE CAFETIÈRE

### PRÉPARATION DE LA CAFETIÈRE POUR SON UTILISATION

1. Placez la cafetière sur une surface horizontale loin de tout rebord.
2. Branchez l'appareil à une prise de courant de 120 V/60 Hz uniquement.
3. Le couvercle de la verseuse doit être correctement placé sur la verseuse pendant la préparation du café et la verseuse doit reposer sur la plaque chauffante.

### REPLISSAGE DU RÉSERVOIR D'EAU : FIGURE 2

4. Ouvrez le couvercle à charnière du réservoir d'eau situé sur le dessus de la cafetière.
5. Remplissez la verseuse de la quantité désirée d'eau froide jusqu'au niveau correspondant au nombre de tasses de café que vous voulez préparer. Des repères de tasse se trouvent sur la poignée de la verseuse.
6. Videz la verseuse dans le réservoir d'eau situé derrière le porte-filtre. **REMARQUE** : Le système de préparation automatique a été conçu pour fonctionner uniquement avec de l'eau froide.

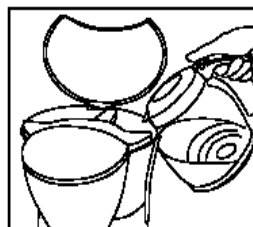


FIGURE 2

**REMARQUE** : La quantité de café préparé en fin de cycle sera toujours légèrement inférieure à la quantité d'eau placée dans le réservoir de la cafetière, car la mouture et le filtre absorbent un peu d'eau. Ajoutez un petit d'eau supplémentaire au début afin d'obtenir le nombre exact désiré de tasses.

### PRÉPARATION DU CAFÉ :

7. Le filtre permanent fourni peut être utilisé à la place d'un filtre en papier. Avec un filtre en papier, placez un cornet-filtre n° 4 dans le panier à filtre avant de le remplir de café moulu. Placez le filtre (permanent ou en papier) dans le panier à filtre amovible. Remplissez le filtre de la quantité nécessaire de café moulu.  
**REMARQUE** : Nous vous recommandons d'utiliser un café moulu préparé spécialement pour les cafetières automatiques goutte-à-goutte. Après plusieurs utilisations de votre cafetière, vous pouvez ajuster la quantité de café moulu selon votre goût.
8. Remplacez le panier à filtre avec le filtre rempli dans le porte-filtre. Veillez à ce que le panier à filtre soit bien inséré dans le porte-filtre.
9. Refermez le couvercle à charnière du réservoir d'eau. Placez la verseuse avec son couvercle en position sur la plaque chauffante.
10. Enfoncez le bouton (situé sur le côté) en position MARCHE (ON). L'interrupteur s'allumera, indiquant que la cafetière est en marche et que le cycle de préparation a commencé. **REMARQUE** : L'appareil s'éteindra automatiquement après deux (2) heures s'il n'est pas manuellement éteint. Le café est prêt lorsque le bruit de « bouillonnement » et l'écoulement ont complètement cessés.

## UTILISATION DE VOTRE CAFETIÈRE (suite)

### PRÉPARATION DU CAFÉ : (suite)

11. **REMARQUE** : Si vous désirez vous servir une tasse de café avant la fin de la préparation complète, la fonction Pauser et Servir (Pause 'N Serve) vous permet de le faire. La préparation n'est pas interrompue pendant cette période; seul l'écoulement du café dans la verseuse l'est. Ne retirez pas la verseuse pendant plus de trente (30) secondes car le café pourrait déborder du panier. Bien que nous offrions cette fonction, nous vous recommandons de ne pas vous verser une tasse de café avant la fin complète du cycle de préparation, car le café préparé en début de cycle à un arôme différent de celui préparé en fin de cycle. Le versement d'une tasse de café pendant le cycle de préparation modifiera le goût du pot final de café.
12. Pour maintenir la température du café, remplacez la verseuse sur la plaque chauffante après vous être servi.
13. Enfoncez le bouton MARCHE/ARRÊT pour éteindre l'appareil lorsque la verseuse est vide ou lorsque l'appareil n'est pas utilisé. Une fois le cycle de préparation terminé, jetez la mouture et rincez bien le filtre permanent et le panier à filtre à l'eau. (Consultez la section « Nettoyage de la cafetière » de ce manuel pour plus de détails.) Si vous avez utilisé un filtre en papier, veillez à le jeter immédiatement après son utilisation. Débranchez toujours la cafetière de la prise de courant après chaque utilisation.
14. **REMARQUE** : Ne faites jamais fonctionner la cafetière sans que le couvercle de la verseuse soit en place. Cela pourrait sinon faire déborder la cafetière.

## CONSEILS POUR UN BON CAFÉ

1. La propreté de la cafetière est essentielle au goût du café. Un nettoyage régulier, comme le décrit « Nettoyage de votre cafetière », est fortement recommandé.
2. Utilisez toujours de l'eau douce froide dans votre cafetière.
3. Un café à mouture fine permet une extraction plus poussée et donne un café riche en goût. Une mouture ordinaire exigera légèrement plus de café moulu par tasse pour donner la force d'une mouture plus fine.
4. Rangez le café moulu dans un endroit sec et frais. Une fois ouvert, conservez le café dans un récipient fermé et étanche pour en préserver la fraîcheur.
5. Pour un café optimal, achetez des grains de café et moulez-les juste avant de préparer le café.
6. Ne réutilisez le café moulu car cela nuira considérablement au goût du café.
7. Il n'est pas recommandé de réchauffer le café. Le goût du café est meilleur immédiatement après sa préparation.
8. De petites gouttes d'huile sur la surface du café noir sont dues à l'extraction de l'huile des grains de café. Les cafés plus fortement torréfiés peuvent produire plus d'huile. Une extraction excessive peut également donner de l'huile, indiquant alors le besoin de nettoyer votre cafetière.

## NETTOYAGE DE VOTRE CAFETIÈRE

1. **ATTENTION** : Veillez toujours à ce que la cafetière soit débranchée avant d'essayer de la nettoyer. Pour vous protéger des électrocutions, ne plongez pas le cordon, la fiche ou la cafetière dans l'eau ou dans un autre liquide.
2. L'extérieur de votre cafetière peut être nettoyé en essuyant la surface avec un chiffon doux et humide. **ATTENTION** : Ne plongez jamais la cafetière dans l'eau ou dans un autre liquide. La plaque chauffante peut être nettoyée avec un chiffon propre et humide, le cas échéant. Veillez à attendre quelques heures après avoir éteint et débranché la cafetière avant de nettoyer la plaque chauffante pour plus permettre de refroidir.
3. Nettoyez l'intérieur de la verseuse avec un chiffon mouillé et un détergent doux. N'utilisez pas de produits abrasifs ni de tampons à récuser sur la verseuse.
4. Le couvercle de la verseuse et le panier à filtre amovible peuvent être lavés à l'eau tiède et savonneuse à la main ou au lave-vaisselle dans le panier supérieur. Ne placez aucune autre pièce de la cafetière dans le lave-vaisselle. Lavez toutes les autres pièces détachables à la main à l'eau tiède et savonneuse, puis rincez-les et séchez-les bien.
5. Pour laver le filtre permanent, videz-en le café moulu et rincez-le bien.
6. Ne nettoyez pas l'intérieur du réservoir d'eau avec un chiffon car le chiffon peut avoir des peluches qui pourraient boucher la cafetière. Rincez-le simplement et régulièrement à l'eau froide.
7. Pour les tâches coriaces, utilisez un tampon en nylon ou en plastique avec un produit de nettoyage non abrasif. N'utilisez pas de tampons métalliques ni de produits de nettoyage abrasifs.



## **NETTOYAGE DE VOTRE CAFETIÈRE (suite)**

8. Des dépôts de calcium peuvent s'accumuler dans la cafetière en raison des minéraux qui se trouvent généralement dans l'eau potable. L'accumulation est normale et la préparation du café peut en être ralenti. Ce problème peut être corrigé en décalcifiant régulièrement la cafetière.
9. Pour décalcifier la cafetière, remplissez la verseuse d'eau froide et de deux cuillerées à soupe de vinaigre blanc. Versez la solution dans le réservoir d'eau, puis fermez le couvercle. Placez la verseuse sur la plaque de la verseuse et faites fonctionner la cafetière avec la solution de vinaigre. N'utilisez pas de filtre dans le panier filtre pendant la décalcification. Lorsque toute la solution de vinaigre se trouve dans la verseuse, videz-la et rincez-la à l'eau froide. Remplissez d'eau froide le réservoir d'eau et faites fonctionner de nouveau la cafetière pour éliminer toute trace de la solution de vinaigre. Répétez la dernière procédure si nécessaire. Nous vous recommandons de décalcifier l'appareil quatre (4) fois par an.

## **ADVERTENCIAS DE SEGURIDAD**

Para el manejo de artefactos eléctricos, se deben tomar ciertas precauciones elementales para disminuir el riesgo de incendio, electrocución y/o lesiones personales.

1. Leer atentamente todas las instrucciones.
2. No tocar superficies calientes. Tomar la jarra siempre por la manija.
3. Para evitar riesgo de electrocución, no sumergir el cable, ni el enchufe, ni la cafetera en agua u otro líquido.
4. Vigilar atentamente los niños que estén usando, o estén cerca de un artefacto eléctrico.
5. Desenchufar el artefacto cuando no esté en uso y antes de limpiarlo o lavarlo. Dejar que la cafetera se enfríe antes de agregar o quitar partes, y antes de limpiarla.
6. No poner en funcionamiento artefactos que tengan el cordón o el enchufe dañado, ni después que se haya producido una falla o el artefacto hubiera sufrido daños de cualquier naturaleza. En tales casos, llevar o enviar el artefacto a un taller autorizado de servicios para que sea revisado, reparado o calibrado.
7. El fabricante no recomienda el uso de accesorios con este artefacto, ya que podría resultar peligroso y debe evitarse.
8. No usar el artefacto a la intemperie.
9. No dejar el cordón eléctrico colgando sobre el borde de una mesa o una mesada, ni permitir que entre en contacto con superficies calientes.
10. No dejar el artefacto cerca de (ni sobre) un quemador de gas o eléctrico, ni en un horno encendido.
11. Enchufar el artefacto antes de activar cualquiera de sus controles. Antes de quitar el enchufe del tomacorriente, apagar el artefacto con su interruptor.
12. Siempre usar agua fría para hacer café, ya que el uso de agua u otro líquido caliente podría dañar la cafetera.
13. Hay riesgo de quemarse si se levanta la tapa de la cafetera mientras se está haciendo el café.
14. No usar este artefacto para propósitos a los que no está específicamente destinado.
15. No apoyar una jarra caliente sobre una superficie húmeda o fría.
16. No dejar una jarra caliente de café sobre o cerca de un papel, de tela ni de cualquier otro material combustible.
17. No colocar la jarra sobre un horno común ni en un horno de microondas.
18. No dejar que se evapore el líquido de la jarra. No calentar la jarra cuando está vacía.
19. No mover la cafetera entera cuando la jarra contiene líquido caliente.
20. Mientras se prepara o se sirve el café, dejar siempre la tapa de la jarra colocada.
21. Descartar la jarra si la misma estuviera dañada o la manija estuviera floja debilitada. Una mella o una rajadura podría causar el quiebre repentino de la jarra o podría hacer caer una astilla de vidrio adentro de la misma.
22. No limpiar la jarra con polvos abrasivos ni con esponjas de lana metálica.

## **ADVERTENCIAS DE SEGURIDAD (continuación)**

23. Esta jarra es apta para ser utilizada únicamente con esta cafetera.

24. **ADVERTENCIA:** Para reducir el riesgo de incendio o electrocución accidental, no quitar la tapa inferior del artefacto. El usuario no debe efectuar ninguna reparación de los componentes internos de este artefacto. Las reparaciones deben ser efectuadas exclusivamente por personal técnico autorizado. **PRECAUCIÓN:** No sumergir la cafetera en ningún tipo de líquido.

### **PARA USO COMERCIAL (EE.UU. SOLAMENTE) Y DOMÉSTICO**

## **INSTRUCCIONES CORTAS DE LA CUERDA**

La cafetera tiene un cordón eléctrico corto para prevenir accidentes por enredos y tropiezos. Tomando las precauciones necesarias, se puede usar un cordón eléctrico prolongador (opcional). En tal caso: (1) la capacidad de corriente del cordón prolongador debe ser igual o mayor que el consumo de corriente del aparato que está alimentando; y (2) se deben tomar precauciones para que no quede colgando del borde una mesa o mesada, adonde los niños puedan arrastrarlo o tropezarse con él accidentalmente. El consumo nominal de corriente eléctrica de la cafetera se encuentra especificado en el panel inferior de la misma. Si el enchufe de la cafetera tiene pata de conexión a tierra, el cordón prolongador también debe tener tres conductores, uno de los cuales debe servir de conexión a tierra. Por razones de seguridad, este artefacto tiene un enchufe con patas de polaridad diferenciada (una es más ancha que la otra), que se puede introducir en una sola posición en un tomacorriente de polaridad diferenciada. Si hubieran dificultades para introducirlo totalmente en el tomacorriente, llamar a un electricista profesional para solucionar el problema. No alterar el diseño original del enchufe por ningún motivo.

**ADVERTENCIA: PARA A REDUCIR EL RIESGO DE INCENDIO O ELECTROCUCIÓN ACCIDENTAL, NO QUITAR LA TAPA INFERIOR DEL ARTEFACTO. EL USUARIO NO DEBE EFECTUAR NINGUNA REPARACIÓN DE LOS COMPONENTES INTERNOS DE ESTE ARTEFACTO. LAS REPARACIONES DEBEN SER EFECTUADAS EXCLUSIVAMENTE POR PERSONAL TÉCNICO AUTORIZADO.**

**PRECAUCIÓN: NO SUMERGIR EL ARTEFACTO EN NINGÚN TIPO DE LÍQUIDO.**

## **PREPARACIÓN DE LA CAFETERA**

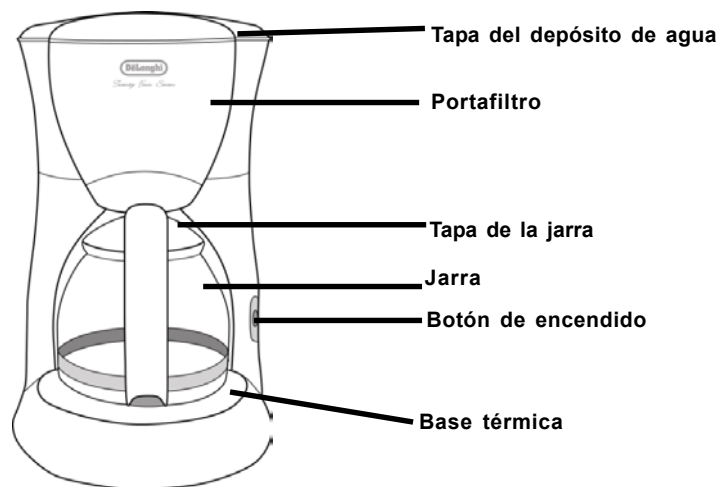
Colocar la caja sobre una superficie amplia, firme y plana. Sacar con cuidado la cafetera y el manual de instrucciones de la caja, y quitar todos los materiales de embalaje. Quitar las etiquetas y/o calcomanías de la cafetera. Si fuera necesario, limpiar el polvo con un paño limpio y húmedo. Secar bien la cafetera. No sumergir la cafetera en agua ni en ningún otro tipo de líquido. Limpiar la jarra, la tapa de la jarra, el portafiltro y el filtro en una solución de agua y detergente. Enjuagar y secar bien la cafetera. No usar productos limpiadores abrasivos ni fuertes para limpiar la unidad (se pueden ver más detalles en la sección de "Limpieza de la cafetera"). No dejar bolsas plásticas al alcance de los niños.

## PREPARACIÓN DE LA CAFETERA (continuación)

**NOTA:** Antes de preparar café por primera vez, es recomendable hacer funcionar la cafetera una o dos veces con agua solamente, sin café molido en el filtro. Esto limpiará el polvo u otros residuos que pudieran haber quedado adentro de la cafetera y que podrían alterar el sabor del café. **IMPORTANTE:** Cargar la cafetera con agua fría, ya que así el sistema de goteo automático funciona mejor.

## DETALLES DE LA CAFETERA AUTOMÁTICA

FIGURA 1



## DETALLES DE LA CAFETERA AUTOMÁTICA

(continuación)

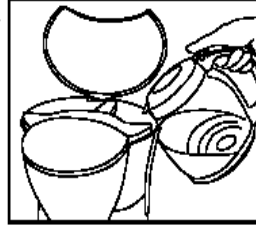
### **FUNCIONES Y CARACTERÍSTICAS:**

1. **APAGADO AUTOMÁTICO EN 2 HORAS:** Por razones de seguridad, esta cafetera viene equipada con función que apaga automáticamente la unidad 2 horas después que el café terminó de prepararse. Para activarla nuevamente, simplemente oprimir dos veces el botón ON-OFF y quedará encendida la luz indicadora.
2. **PAUSA PARA SERVIR:** Permite retirar la jarra para servir una taza de café, aunque no se haya terminado de hacer toda la cantidad cargada. Al volver a colocar la jarra en la base térmica, se iniciará automáticamente la circulación de agua por el filtro de café. Asegurarse de que la jarra quede totalmente apoyada sobre su base en la cafetera. **PRECAUCIÓN:** No retirar la jarra por más de 30 segundos, ya que el filtro se llenará y se derramará café.
3. **JARRA HERMÉTICA:** El borde de la jarra y la tapa forman un cierre hermético que evita la evaporación rápida, ayudando así a conservar la temperatura y el sabor natural del café.
4. **JARRA ESPECIALMENTE DISEÑADA PARA SERVIR:** La jarra de diseño exclusivo tiene reborde perimetral completo y pico vertedor tradicional, con lo cual se puede servir el café por cualquier lado de la misma. A ambos lados de la manija se encuentran las marcas indicadoras de la cantidad de tazas, facilitando notablemente la medición del nivel de agua a cargar en la jarra.
5. **BASE DE APOYO DE SUPERFICIE ANTIADHERENTE:** La limpieza es mucho más rápida y simple.
6. **COMPARTIMIENTO PARA CORDÓN ELÉCTRICO:** La cafetera tiene un compartimiento para ocultar el tramo de cordón eléctrico sobrante, dando un aspecto ordenado y prolijo.
7. **PORTAFILTRO CON MANIJA:** El portafiltro tiene forma cónica, que facilita la obtención de un café más cargado y con sabor puro. Se incluye un filtro lavable permanente.

## FUNCIONAMIENTO DE SU FABRICANTE DEL CAFÉ

### PREPARACIÓN DE LA MÁQUINA PARA HACER CAFÉ:

1. Colocar la cafetera sobre una superficie nivelada, alejada de los bordes.
2. Enchufar la cafetera en un tomacorriente de 120V / 60Hz.
3. Verificar que la tapa de la jarra esté firmemente colocada antes de preparar café. La jarra debe estar bien asentada sobre su base térmica.



### CARGA DE AGUA: Figura 2

4. Abrir la tapa abisagrada del depósito de agua en la parte superior de la cafetera.
5. Cargar en la jarra la cantidad de agua fría que corresponda al número de tazas de café a preparar. Las marcas de la cantidad de tazas se encuentran marcadas en la manija de la jarra. **FIGURA 2**
6. Volcar el agua de la jarra en el depósito de agua de la cafetera, ubicado detrás del portafiltro. **NOTA:** El sistema de preparación automática está diseñado para el uso de agua fría exclusivamente.

**NOTA:** La cantidad de café elaborado depende después de que el proceso de elaboración de la cerveza sea voluntad completa sea siempre levemente menos que la cantidad de agua colocada en el depósito del agua del fabricante del café, puesto que un poco de agua es absorbida por los argumentos y el filtro del café. Agregue una poca agua adicional al principio de modo que usted tenga el número exacto de las tazas deseadas.

## · · · · · · · · · · **FUNCIONAMIENTO DE SU FABRICANTE DEL CAFÉ** · · · · · (continuación) · · · · ·

### · · · · · **CARGA DEL CAFÉ:** · · · · ·

- · · · · 7. El filtro permanente de la cafetera hace innecesario el uso de filtros de papel, pero en el caso de usar estos últimos, colocar en el portafiltro un filtro cónico N° 4. Cargar en el filtro la cantidad necesaria de café molido. **NOTA:** Es recomendable usar café molido específicamente para cafeteras automáticas. Sugerimos cargar una cucharada de café molido por cada taza a preparar. Después de usar varias veces la cafetera, encontrará la medida exacta de café que responda a su gusto personal.
- · · · · 8. Verificar que el portafiltro quede firmemente alojado en su lugar antes de poner la máquina en funcionamiento.
- · · · · 9. Cerrar la tapa del depósito de agua. Colocar la jarra con la tapa cerrada en su base térmica.
- · · · · 10. Pulsar el botón lateral para llevarlo a la posición de encendido (ON). El botón se iluminará indicando que se ha encendido la cafetera y se ha iniciado la preparación del café. **NOTA:** Se apagará automáticamente a las 2 horas, si no se la apaga antes en forma manual. Cuando ya no circule agua y se escuche un sonido de “burbujeo”, es indicación de que se ha terminado de preparar el café.
- · · · · 11. **NOTA:** La función Pausa para Servir permite servir una taza de café antes de que se haya terminado de preparar toda la jarra. En este caso, no se interrumpe la preparación del café, sino que se corta la salida de líquido del portafiltro. No retirar la jarra durante más de 30 segundos, ya que podría rebalsar el filtro y derramarse café. Si bien ponemos esta función a disposición del usuario, aclaramos que no es ideal servirse en estas condiciones, ya que el sabor del café que sale al inicio del ciclo no es igual al sabor del café al final del mismo. Al extraer una taza al principio del ciclo de preparación, se cambiará el sabor del contenido de la jarra al final del mismo.
- · · · · 12. Después de servirse, volver a colocar la jarra en su base térmica para mantener el café caliente.
- · · · · 13. Para apagar la cafetera cuando la jarra está vacía o no se va a usar la cafetera, pulsar el botón ON / OFF. Después de finalizar el ciclo de preparación del café, desechar el café usado y lavar bien con agua el filtro permanente y el portafiltro (se pueden ver más detalles en la sección de “Limpieza de la cafetera” de este manual de instrucciones). En caso de usar filtro de papel, desecharlo inmediatamente al terminar el ciclo de preparación. Al terminar de usar la cafetera, dejarla desenchufada.
- · · · · 14. **NOTA:** Usar siempre la cafetera con la tapa de la jarra firmemente colocada para evitar derrames.

## **SUGERENCIAS PARA PREPARAR UN CAFÉ SABROSO**

1. Para preparar un café sabroso, es fundamental mantener la cafetera limpia. Se recomienda llevar a cabo la limpieza regular de la cafetera siguiendo las instrucciones de la sección "Limpieza de la cafetera" de este manual de instrucciones.
2. Usar siempre agua potable fría.
3. El grano molido fino facilita la extracción y el café obtenido será más cargado y sabroso. Con grano de café molido regularmente, será necesario usar una pequeña cantidad extra para obtener el mismo sabor que con grano molido fino.
4. Guardar el café en un lugar fresco y seco. Una vez que se abre en envase de café, conservarlo bien cerrado en el refrigerador para que se mantenga fresco.
5. Para obtener óptimo sabor, es mejor comprar granos enteros y molerlos antes de preparar el café.
6. No usar café molido más de una vez, ya que perderá considerablemente el sabor.
7. No es recomendable recalentar café preparado. El sabor del café es óptimo inmediatamente después de prepararlo.
8. A veces se notará que hay pequeñas gotas de aceite suspendidas en la superficie del café recién hecho. Esto se debe a la extracción de aceite del café molido. Ocurre más frecuentemente con café tostado que con otros tipos de café. La saturación excesiva también puede dejar estos residuos aceitosos, en cuyo caso es conveniente lavar la cafetera.



## LIMPIEZA DE LA CAFETERA

1. **PRECAUCIÓN:** Antes de limpiar la cafetera, asegurarse de que esté desenchufada. Para evitar riesgo de electrocución, no sumergir el cable, ni el enchufe, ni la cafetera en agua u otro líquido.
2. El exterior de la cafetera se puede limpiar con un paño húmedo y suave.  
**PRECAUCIÓN:** No sumergir la cafetera en agua ni en ningún otro tipo de líquido. Si fuera necesario, la base térmica de la jarra se puede limpiar con un paño húmedo y limpio. Antes de limpiar la base térmica, dejar enfriar la cafetera un par de horas y asegurarse de que esté desenchufada.
3. El interior de la cafetera se puede limpiar con un paño humedecido en una solución de agua y detergente. No usar productos de limpieza abrasivos ni esponjas abrasivas para limpiar la jarra.
4. La jarra, la tapa de la jarra y portafiltro se pueden lavar a mano con una solución jabonosa tibia o también en la rejilla superior de un lavavajillas automático. No lavar ninguna otra parte de la cafetera en un lavavajillas automático. Las otras partes desmontables de la cafetera se pueden lavar a mano con una solución jabonosa tibia. Enjuagarlas y secarlas bien antes de ponerlas en uso nuevamente.
5. Después de desechar el café molido, el filtro permanente se puede lavar con agua antes de dejarlo secar.
6. No limpiar el interior del depósito de agua con un paño, ya que las pelusas que deje podrían taponar el circuito de agua de la cafetera. Simplemente, enjuagarlo con agua fría periódicamente.
7. Para limpiar manchas rebeldes, usar una esponja de plástico o de nailon con un producto de limpieza no abrasivo. No usar esponjas metálicas ni productos de limpieza abrasivos.
8. Los minerales que normalmente contiene el agua potable pueden formar depósitos cálcicos en la cafetera. Esto es normal y el resultado será un leve retardo en la preparación del café. Este retardo se puede eliminar descalcificando periódicamente la cafetera.
9. Para descalcificar la cafetera, llenar la jarra con agua fría y agregar dos cucharadas de vinagre blanco. Volcar esta solución en el depósito de agua y cerrar la tapa del mismo. Colocar la jarra en su base y encender la cafetera para que circule la solución de vinagre. No usar filtro en la cafetera para este proceso de descalcificación. Cuando termine de pasar la solución de vinagre, vaciar la jarra y enjuagarla con agua fría. Cargar agua fría en el depósito y poner la cafetera en funcionamiento para que circule y limpie los restos de la solución de vinagre. Si fuera necesario, repetir el procedimiento. Se recomienda descalcificar la máquina 4 veces por año.

## **IMPORTANTI MISURE DI SICUREZZA**

**Quando si maneggiano elettrodomestici si dovrebbero sempre osservare alcune semplici norme precauzionali di sicurezza per ridurre i rischi di incendio, di scosse elettriche e/o di danni alle persone.**

1. Leggere attentamente tutte le istruzioni.
2. Non toccare le superfici calde. Prendere la caraffa per il manico.
3. Per proteggervi dalle scosse elettriche, evitate di immergere il filo, la spina o la macchina in acqua o in altri liquidi.
4. È necessario esercitare un'attenzione maggiore quando la macchina è adoperata da bambini o vicino ai bambini.
5. Staccare la spina dalla presa quando la macchina non è in uso o prima di pulirla. Prima di staccare o aggiungere delle parti o prima di pulire la macchina, lasciare che si raffreddi.
6. Non usate la macchina se il filo o la spina sono danneggiati o se la macchina non funziona a dovere o ha subito un qualsiasi danno. Portate la macchina presso un centro di assistenza autorizzato per eventuale esame, riparazione o regolazione.
7. La Ditta non raccomanda l'uso di accessori, che potrebbero creare pericoli e devono essere evitati.
8. Non usate la macchina all'aperto.
9. Non lasciate che il filo sporga dal bordo del tavolo o del banco, o tocchi superfici calde.
10. Non sistemare la macchina su fornelli a gas o elettrici o vicino ad essi, o in un forno acceso.
11. Prima di azionare qualsiasi controllo, inserire la spina nella presa. Per disinserire, spegnere l'interruttore (OFF) e quindi staccare la spina dalla presa.
12. Per fare il caffè usate sempre acqua fredda. L'acqua calda o altri liquidi potrebbero causare dei danni alla macchina.
13. Se sollevate o togliete il coperchio durante il ciclo di preparazione del caffè, potreste scottarvi.
14. Non usate questa macchina per uso diverso da quello indicato.
15. Non poggiate la caraffa calda su una superficie bagnata o fredda.
16. Non posate la caraffa calda vicino a carta, panni o altro materiale infiammabile.
17. Non usate la caraffa sulla cucina economica o nel forno a microonde.
18. Non lasciate che il liquido evapori dalla caraffa. Non riscaldate la caraffa quando è vuota.
19. Non spostate la macchina quando la caraffa contiene liquido caldo.
20. Tenete la caraffa chiusa con il coperchio durante il ciclo di preparazione e quando versate il caffè.
21. Eliminate la caraffa se è danneggiata o se ha il manico allentato o debole. Una scheggiatura o delle incrinature potrebbero causarne la rottura o la contaminazione del liquido da schegge di vetro.
22. Non pulite la caraffa con polveri abrasive, pagliette di lana d'acciaio o altri materiali abrasivi.

## IMPORTANTI MISURE DI SICUREZZA (cont.)

23. La caraffa è progettata per essere usata solamente con questa macchina.
24. **ATTENZIONE:** per ridurre il rischio di incendio o di scosse elettriche, non scoperchiate la base. All'interno non vi sono parti che l'utente possa riparare. Eventuali riparazioni devono essere eseguite da personale tecnico autorizzato. **PRUDENZA:** evitate l'immersione in liquidi di qualunque tipo.

## PER USO COMMERCIALE (SOLO U.S.A.)

## E CASALINGO

## ISTRUZIONI CORTE DEL CAVO

La macchina ha in dotazione un filo corto per ridurre il rischio che deriva da eventuali grovigli o dal pericolo di inciampare. Sono disponibili fili più lunghi staccabili da usarsi con tutte le attenzioni del caso. Se adoperate un filo elettrico staccabile o una prolunga: (1) la potenza elettrica della prolunga deve essere almeno la stessa di quella della macchina, e (2) il filo più lungo dovrebbe essere disposto in modo tale che non sporga dal piano su cui è sistemata la macchina: i bambini infatti potrebbero tirarlo o inciamparci. La potenza elettrica della macchina è riportata alla base dell'unità. Se la macchina prevede l'attacco a terra, anche la prolunga dovrebbe avere l'attacco a terra di tipo 3. La macchina ha la spina polarizzata, con un polo più grande dell'altro. Per ridurre il pericolo di scosse elettriche, questo tipo di spina si adatta ad una presa polarizzata solamente in un modo per cui non è possibile sbagliare. Se la spina non entra nella presa, contattare un elettricista qualificato. Non tentate in nessun modo di modificare la spina.

**ATTENZIONE: PER RIDURRE IL RISCHIO DI INCENDIO O DI SCOSSE ELETTRICHE, NON SCOPERCHIARE LA PARTE INFERIORE DELLA MACCHINA. NON VI SONO ALL'INTERNO PARTI CHE L'UTENTE POSSA RIPARARE. LE RIPARAZIONI DEVONO ESSERE EFFETTUATE DA PERSONALE TECNICO AUTORIZZATO.**

**PRUDENZA: NON IMMERGERE L'APPARECCHIO IN LIQUIDI.**

## PRIMA DELL'USO

Sistemate il pacco su una superficie ampia e solida. Togliete con attenzione la macchina da caffè dall'imballaggio e rimuovete il materiale di imballo e gli opuscoli. Rimuovete tutte le etichette e gli adesivi dalla macchina. Per liberare la macchina dalla polvere eventualmente accumulatasi durante le operazioni di imballo, spolveratela con un panno umido e pulito, poi aspettare che si asciughi completamente. Non immergerla in acqua o in altri liquidi. Pulire la caraffa, il coperchio, il filtro e il suo contenitore in acqua tiepida con detergente leggero. Risciacquare ed asciugare completamente. Non usare detergenti forti o abrasivi (Per istruzioni dettagliate vedere la sezione dal titolo "Pulizia della macchina da caffè" in questo manuale).

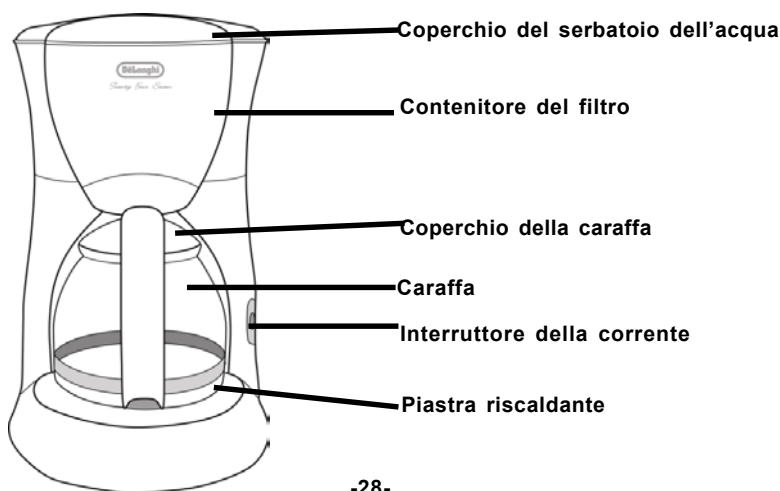
Tenere lontane le borse di plastica dalla portata dei bambini.

**NOTA:** si raccomanda di far funzionare la macchina una o due volte con la sola acqua prima di fare il caffè per togliere eventuali residui di polvere che si fossero depositati all'interno dell'unità e che potrebbero pregiudicare il sapore del primo caffè.

**IMPORTANTE:** usate solamente acqua fredda. Il sistema di filtraggio automatico funziona meglio con acqua fredda.

## CARATTERISTICHE DELLA MACCHINA DA CAFFÈ

Illustrazione 1



## **CARATTERISTICHE DELLA MACCHINA DA CAFFÈ**

**(cont.)**

### **CARATTERISTICHE:**

1. **INTERRUZIONE AUTOMATICA DOPO 2 ORE.** Lo spegnimento automatico dopo due ore di cui questa macchina è dotato, costituisce una misura di sicurezza. La macchina si spegne automaticamente dopo due ore dal completamento del ciclo. Per riaccendere la macchina, premere per due volte il pulsante ON-OFF [ACCESO-SPENTO] e la spia ON/OFF [ACCESO/SPENTO] si illuminerà.
2. **SOSPENSIONE DEL CICLO.** Questa funzione permette di sospendere il ciclo e servire il caffè prima che si sia riempita la caraffa. Per riattivare il ciclo, rimettere la caraffa sulla piastra e il caffè riprenderà a filtrare automaticamente dal cestello del filtro. Assicurarsi che la caraffa sia posizionata completamente sulla piastra. **PRUDENZA:** non togliere la caraffa dalla piastra per più di 30 secondi per non rischiare che il caffè fuoriesca dal cestello del filtro.
3. **CARAFFA SIGILLATA.** Il sigillo del coperchio e dell'orlo della caraffa serve per tenere il caffè a temperatura naturale e conservarne il sapore, evitando un'eccessiva evaporazione.
4. **CARAFFA PROGETTATA PER UNA FACILE MESCITA.** La caraffa progettata in modo unico, con il suo orlo particolare e il beccuccio di mescita tradizionale, permettono di mescolare il caffè da qualunque parte. I segnalatori di quantità sistemati da ambedue le parti del manico permettono di riempire la caraffa al livello voluto.
5. **PIASTRA DI RISCALDAMENTO NON ADERENTE.** Permette una pulizia facile e svelta.
6. **ALLOGGIAMENTO PER IL FILO ELETTRICO.** Permette di nascondere l'eccessiva lunghezza del filo dando alla macchina un'apparenza ordinata e conserva il filo al suo posto quando la macchina non è in uso.
7. **CONTENITORE DEL FILTRO CON MANICO.** Il cestello del filtro a forma di cono arricchisce il sapore ed elimina l'amaro. Vi è incluso un filtro lavabile e riutilizzabile.

## PREPARAZIONE DELLA MACCHINA PER FARE IL CAFFÈ

1. Posizionare la macchina su una superficie piana e liscia, lontana dai bordi.
2. Inserire la spina in una presa a 120V/60HZ.
3. Il coperchio della caraffa deve essere sistemato correttamente durante il ciclo di preparazione del caffè. La caraffa deve poggiare sulla piastra.

## RIEMPIMENTO DEL SERBATOIO DELL'ACQUA: illustrazione 2

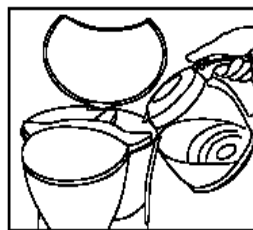


Illustrazione 2

4. Sollevare il coperchio a cerniera del serbatoio dell'acqua che si trova nella parte superiore della macchina.
5. Riempire la caraffa di acqua fredda nella quantità desiderata. Gli indicatori di quantità sono visibili da ambo le parti del manico della caraffa.
6. Versare l'acqua della caraffa nel serbatoio che si trova dietro il reparto del filtro. **NOTA:** il sistema di preparazione automatica del caffè è stato progettato solamente per l'uso di acqua fredda.

**NOTA:** La quantità di caffè preparato dopo che il processo di fermentazione sia volontà completa sempre sia un po' di meno che la quantità di acqua disposta nel serbatoio dell'acqua del creatore del caffè, poiché alcuna dell'acqua è assorbita dai motivi e dal filtro del caffè. Aggiunga una poca acqua supplementare all'inizio in modo che abbiate il numero esatto di tazze volute.

7. Potete usare il filtro riutilizzabile in dotazione, al posto dei filtri di carta. Se si utilizzano i filtri di carta, inserire un filtro n. 4 a forma di cono e quindi riempirlo di macinato. Inserire il filtro (quello riutilizzabile o quello di carta) nel cestello estraibile del filtro e riempirlo di macinato nella quantità desiderata. **NOTA:** si consiglia di usare caffè macinato in modo specifico per macchine automatiche per il caffè all'americana. Si consiglia di usare un cucchiaino di caffè per ogni tazza. Dopo aver fatto il caffè alcune volte, potrete regolare la quantità secondo il vostro gusto.
8. Collocare il cestello del filtro con il filtro pieno di macinato nell'apposito ricettacolo. Assicurarsi che il cestello sia nella giusta posizione.
9. Chiudere il coperchio a cerniera del serbatoio d'acqua. Collocare la caraffa con il suo coperchio sulla piastra.

## PREPARAZIONE DEL CAFFÈ:

10. Premere il pulsante (situato a lato) per ACCENDERE. L'interruttore si illumina indicando che la macchina è accesa e che il ciclo di preparazione del caffè è iniziato. **NOTA:** le macchine si spengono automaticamente dopo due ore se non sono spente prima manualmente. Il caffè è pronto quando ha finito di filtrare e non si sente più l'acqua ribollire.
11. **NOTA:** se volete versarvi una tazza di caffè prima che si sia riempita la caraffa, lo potete fare grazie alla funzione di sospensione del ciclo, che pur non interrompendo il ciclo, interrompe il fluire del caffè nella caraffa. Non togliere la caraffa dalla piastra per più di 30 secondi per non rischiare che il caffè fuoriesca dal cestello del filtro. Benché la macchina sia dotata di questa funzione, non si consiglia di servire il caffè prima che il ciclo si sia completato, in quanto il caffè filtrato all'inizio ha un gusto molto diverso da quello filtrato alla fine del ciclo. Togliendo parte del caffè si altera il gusto di tutta la caraffa.
12. Per mantenere il caffè alla giusta temperatura, posare la caraffa con il caffè restante sulla piastra.
13. Per spegnere l'unità quando la caraffa è vuota o l'unità non è in uso, premere il pulsante ACCESO/SPENTO. Una volta terminato il ciclo, eliminare i fondi del caffè e risciacquare bene con acqua il filtro riutilizzabile e il suo cestello. (Vedere "Pulizia della macchina da caffè" in questo manuale per istruzioni dettagliate). Se avete usato un filtro di carta, eliminarlo subito dopo l'uso. Assicuratevi di staccare sempre l'unità dalla presa di corrente ogni volta che non è più in uso.
14. **NOTA:** non usare mai la macchina senza sigillare la caraffa con il coperchio apposito, per evitare che trabocchi.

## **CONSIGLI PER FARE UN OTTIMO CAFFÈ**

1. Per ottenere un ottimo caffè, è indispensabile che la macchina sia pulita. Si consiglia di pulirla regolarmente, seguendo le istruzioni alla sezione "Pulizia della macchina da caffè" del presente manuale.
2. Usare sempre acqua fredda e corrente.
3. Il caffè macinato fine permette di essere utilizzato al massimo e dà un caffè dal sapore ricco e robusto. Se usate il caffè macinato regolare, aumentare leggermente la quantità perché il caffè abbia la stessa robustezza di quello preparato con il macinato fine.
4. Conservare il caffè al fresco e all'asciutto. Una volta aperto, chiuderlo ermeticamente e conservare in frigorifero per mantenerne la freschezza.
5. Per un eccellente caffè, comprarlo in grani e macinare prima dell'uso.
6. Non riusare i fondi del caffè, in quanto si otterrà una miscela dal sapore spento.
7. Non si consiglia di riscaldare il caffè, che è all'apice del suo sapore appena è preparato.
8. Le piccole gocce di olio visibili in superficie sono prodotti dal macinato. I caffè ad alta torrefazione presentano un maggior livello di oleosità, che però potrebbe anche essere causato dalla macchina sporca.

## **PULIZIA DELLA MACCHINA DEL CAFFÈ**

1. **PRUDENZA:** assicuratevi di aver staccato la spina della corrente prima di procedere alla pulizia. Per evitare scosse elettriche, non immergere né il filo, né la spina o la macchina in acqua o in altri liquidi.
2. Pulire la parte esterna della macchina con un morbido panno inumidito.  
**PRUDENZA:** evitare di immergere la macchina in acqua o in altri liquidi. Pulire la piastra di riscaldamento con un morbido panno inumidito, secondo necessità. Prima di pulire la piastra, darle il tempo di raffreddarsi, aspettando circa due ore dopo aver spento la macchina, e staccare la spina.
3. Pulire l'interno della macchina con un panno umido e un detergente leggero. Evitare l'uso di polveri abrasive o pagliette per pulire la caraffa.
4. Lavare a mano la caraffa, il coperchio e il cestello estraibile del filtro in acqua e sapone tiepida, oppure nel cestello superiore della lavastoviglie. Non lavare altre parti della macchina nella lavastoviglie. Lavare le altre parti estraibili a mano in acqua e sapone tiepida, poi risciacquare e lasciare asciugare completamente.
5. Per pulire il filtro riutilizzabile, svuotarlo dei fondi di caffè e risciacquarlo per bene, lasciandolo asciugare completamente.
6. Evitare di pulire l'interno del serbatoio dell'acqua con un panno, in quanto i residui del tessuto potrebbero intasare la macchina. Basta risciacquarlo periodicamente con acqua fredda.
7. Per macchie difficili, usare una paglietta in nailon o plastica e polvere non abrasiva. Evitare l'uso di pagliette di lana d'acciaio o di polveri abrasive.



## **PULIZIA DELLA MACCHINA DEL CAFFÈ (cont.)**

8. I sali minerali presenti nell'acqua potabile possono causare dei depositi calcarei nella macchina. Si tratta di un processo naturale, che può rallentare il tempo di preparazione del caffè, e che si può evitare pulendo la macchina periodicamente dai depositi calcarei.
9. Per togliere i depositi calcarei, riempire la caraffa di acqua fredda e aggiungere due cucchiaini di aceto bianco. Versare la soluzione nel serbatoio, quindi mettere il coperchio. Mettere la caraffa sulla piastra e accendere la macchina permettendole di "fare il caffè" con la soluzione di acqua e aceto. Non mettere il filtro nel cestello. Una volta che la soluzione di acqua e aceto è passata, svuotare la caraffa e risciacquarla in acqua fredda. Riempire il serbatoio di acqua fredda (senza aceto) e fare partire di nuovo il ciclo, questa volta senza aceto, per togliere eventuali residui di aceto. Ripetere secondo necessità. Vi suggeriamo di eseguire questa pulizia 4 volte all'anno.

••Limited Warranty••

WHAT DOES THE WARRANTY COVER?

We warrant each appliance to be free from defects in material and workmanship. Our obligation under this warranty is limited to replacement or repair, free of charge at our factory or authorized service centers of any defective part or parts thereof other than parts damaged in transit, which shall be returned to us, transportation prepaid. This warranty shall apply only if the appliance is used in accordance with the factory directions which accompany it, and on an Alternating Current (AC) circuit.

HOW LONG DOES THE COVERAGE LAST?

This warranty runs for one year from the date of delivery and applies only to the original purchaser for use.

WHAT IS NOT COVERED BY THE WARRANTY?

The warranty does not cover defects or damage of the appliance which result from repairs or alterations to the appliance outside our factory or authorized service centers, nor shall it apply to any appliance which has been subject to abuse, misuse, negligence or accidents. Also, consequential and incidental damage resulting from the use of this product or arising out of any breach of contract or breach of this warranty are not recoverable under this warranty. Some states do not allow the exclusion or limitation of incidental or consequential damage, so the above limitation may not apply to you.

HOW DO YOU GET SERVICE?

If repairs become necessary or spare parts are needed, please contact:

De'Longhi America Inc.  
Park 80 West, Plaza One  
Saddle Brook, NJ 07663  
Or call us at: 1-800-322-3848

The above warranty is in lieu of all other express warranties and representations. All implied warranties are limited to the applicable warranty period set forth above. This limitation does not apply if you enter into an extended warranty with DeLonghi. Some states do not allow limitations on how long an implied warranty lasts, so the above exclusions may not apply to you. DeLonghi does not authorize any other person or company to assume for it any liability in connection with the sale or use of its appliance.

HOW DOES STATE LAW APPLY?

This warranty gives you specific legal rights, and you may also have other rights which vary from state to state.

••Garantie limitée••

QU'EST-CE QUE CETTE GARANTIE COUVRE?

Nous garantissons que chaque appareil sera exempt de tout vice de matériau ou de main-d'œuvre. Notre obligation selon cette garantie est limitée au remplacement ou la réparation, sans frais, à notre usine ou aux centres de réparation autorisés, de toutes les pièces défectueuses qui nous seront retournées, port payé, à l'exception des pièces endommagées pendant le transport. Cette garantie n'entre en vigueur que si l'appareil est utilisé conformément aux instructions de l'usine qui l'accompagnent et sur un circuit électrique à courant alternatif (c.a.).

COMBIEN DE TEMPS DURE LA GARANTIE?

Cette garantie dure une année à partir de la date de livraison et s'applique uniquement à l'acheteur et utilisateur initial.

QU'EST-CE QUE CETTE GARANTIE NE COUVRE PAS?

Cette garantie ne couvre pas les défauts de l'appareil ou les dégâts résultants de travaux de réparation ou de modifications effectués en dehors de notre usine ou des centres de réparation autorisés. Elle ne couvre pas non plus les appareils qui ont fait l'objet d'une utilisation abusive, incorrecte ou négligente ou d'accidents. En outre, les dommages indirects ou consécutifs résultant de l'utilisation de ce produit ou d'une rupture de contrat ou de la violation de cette garantie ne sont pas remboursables par cette garantie. Certains états ou provinces n'autorisent pas l'exclusion ou la limitation des dommages indirects ou consécutifs; les restrictions ci-dessus peuvent ne pas s'appliquer à votre cas.

COMMENT OBTENIR DU SERVICE?

S'il faut réparer l'appareil ou obtenir des pièces de rechange, veuillez écrire à :

De'Longhi Canada Inc.  
1040 Ronsa Court  
Mississauga (Ontario)  
L5R 4E1 Canada  
Ou appelez-nous au: 1-888-335-6644

La garantie ci-dessus remplace toute autre garantie et représentation expresse. Toute garantie implicite est limitée à la période de garantie applicable établie ci-dessus. Cette limitation ne s'applique pas si vous concluez un contrat de garantie prolongée avec DeLonghi. Certains états ou provinces n'autorisent pas les limitations sur la durée d'une garantie implicite; les restrictions ci-dessus peuvent ne pas s'appliquer à votre cas. DeLonghi n'autorise aucune personne ou société à assumer en son nom une responsabilité liée à la vente ou à l'utilisation de ses appareils.

COMMENT S'APPLIQUE LA LOI DE L'ÉTAT OU DE LA PROVINCE?

Cette garantie vous donne des droits juridiques précis et vous pouvez aussi avoir d'autres droits qui peuvent varier d'un état ou province à un autre.

••Garantía limitada••

**COBERTURA DE LA GARANTÍA**

La cafetera está garantizada por defectos de materiales y de fabricación. Nuestra obligación bajo los términos de esta garantía se limita al cambio o a la reparación sin cargo de la parte o partes defectuosas (excepto las partes que resultaran dañadas accidentalmente durante el transporte), en nuestra fábrica o en un centro autorizado de servicio. El costo de envío de la parte o partes a reparar es responsabilidad del propietario. Esta garantía es válida únicamente si el artefacto se utiliza exclusivamente con corriente alterna y de acuerdo con las instrucciones del fabricante que se suministran con la unidad.

**DURACIÓN DE LA GARANTÍA**

Esta garantía es válida por un año a partir de la fecha de entrega de la unidad, y se aplica exclusivamente al comprador original.

**CONDICIONES QUE ANULAN LA VALIDEZ DE ESTA GARANTÍA**

La garantía no cubre defectos ni daños que fueran el resultado de reparaciones o modificaciones efectuadas a la máquina fuera de los centros autorizados de servicio o de fábrica. La garantía tampoco tendrá validez si el artefacto ha sido sometido a maltrato, uso indebido o negligencia, ni en el caso de daños por accidente. Esta garantía tampoco reconoce ni cubre perjuicios directos o indirectos emergentes del uso de este producto y/o por el incumplimiento de instrucciones y cláusulas específicamente aclaradas en la garantía. En ciertos estados no se permite la exclusión ni la limitación de perjuicios directos o indirectos, por lo cual, las limitaciones mencionadas anteriormente podrían no ser válidas en su caso particular.

**OBTENCIÓN DE SERVICIOS DE GARANTÍA**

En caso de que sea necesario efectuar reparaciones u obtener partes de repuesto, comunicarse con:

- De' Longhi America Inc.
- Park 80 West, Plaza One
- Saddle Brook, NJ 07663
- O llamar al número: 1-800-322-3848

Esta garantía se ofrece en reemplazo de cualquier otro tipo de garantía expresa y de otras representaciones hechas por terceros. Todas las garantías implícitas quedan limitadas al mismo período de validez que corresponde a la garantía enunciada anteriormente. Esta limitación no tiene validez si el propietario ha acordado una extensión de garantía con DeLonghi. En ciertos estados, no se aceptan las limitaciones de duración de las garantías implícitas, por lo cual, las exclusiones y/o limitaciones mencionadas anteriormente podrían no aplicarse en su caso particular. DeLonghi no autoriza a ninguna otra persona ni compañía a que ofrezca garantías o asuma responsabilidades en su nombre, relacionadas a la venta y/o al uso de sus artefactos.

**VALIDEZ DE LEYES ESTATALES**

Esta garantía le confiere derechos establecidos por ley, pero usted también podría tener otros derechos que varían de un estado a otro.

.. **Garanzia limitata** ..

**LIMITI DELLA GARANZIA**

La Ditta garantisce ogni elettrodomestico privo di difetti per quanto riguarda sia il materiale sia la lavorazione. La responsabilità della Ditta in materia è limitata alla sostituzione o riparazione, gratis, presso il nostro stabilimento o presso i nostri centri di assistenza autorizzati, del pezzo o dei pezzi difettosi, ad eccezione delle parti che abbiano subito danni durante la spedizione. Il pezzo o l'unità verranno rispediti all'utente che avrà provveduto in anticipo al pagamento della spedizione. La garanzia è soltanto valida se l'elettrodomestico è stato usato in osservanza delle istruzioni dello stabilimento di cui è dotato, e su un circuito elettrico a corrente alternata (AC).

**DURATA DELLA GARANZIA**

La garanzia ha la durata di un anno a partire dalla data di consegna ed è valida soltanto per l'acquirente originale.

**ESCLUSIONI DELLA GARANZIA**

La garanzia non copre difetti o danni causati all'elettrodomestico da riparazioni o alterazioni che non siano state eseguite nel nostro stabilimento o nei nostri centri di assistenza autorizzati, né si applica ad elettrodomestici che siano stati oggetto di abuso, uso incorretto, negligenza o incidenti. Inoltre, la presente garanzia non copre i danni accessori o indiretti derivanti dall'uso dell'elettrodomestico o da violazione contrattuale o violazione della presente garanzia. Alcuni stati non permettono l'esclusione o la limitazione di danni accessori o indiretti: in tal caso, la limitazione di cui sopra non si applica.

**COME OTTENERE ASSISTENZA**

Se avete bisogno di pezzi di ricambio o di riparazioni, vi preghiamo di contattare la Ditta al seguente indirizzo:

De' Longhi America Inc.  
Park 80 West, Plaza One  
Saddle Brook, NJ 07663  
O telefonate al: 1-800-322-3848

La presente garanzia sostituisce tutte le altre garanzie e dichiarazioni esplicite. Tutte le garanzie implicite sono limitate al periodo applicabile sopra descritto. Tale limitazione non si applica nel caso in cui l'acquirente acquisti dalla DeLonghi un'estensione di garanzia. Alcuni stati non permettono restrizioni alla durata della garanzia implicita, nel qual caso le esclusioni di cui sopra non si applicano. La DeLonghi non ha autorizzato né autorizza nessuna persona fisica o giuridica ad assumersi per essa qualsiasi responsabilità in merito all'uso o alla vendita degli elettrodomestici DeLonghi.

**APPLICAZIONE DELLE LEGGI STATALI**

Questa garanzia concede espliciti diritti legali all'acquirente, il quale potrebbe anche godere di altri diritti che possono variare da stato a stato.



DC500 Series / DC500 S ries

Series DC500 / Serie DC500

Made in PRC / Fabriqu  en RPC

Fabricado en la RPC / Fabbricato nella RPC

Power Requirement: 120 Volts / 60 Hz  
Caract ristiques  lectriques: 120 Volts / 60 Hz  
Alimentaci n el ctrica: 120 Voltios / 60 Hz  
Per uso con corrente: 120 Volt / 60 Hz

Power Consumption / Puissance consomm e: 550 Watts  
Consumo de energ a: 550 Vatios / Consumo di corrente: 550 Watt

[www.delonghi.com](http://www.delonghi.com)

DeLonghi America, Inc.  
Park 80 West, Plaza One  
Saddle Brook, NJ 07663  
1-800-322-3848

DeLonghi Canada, Inc.  
1040 Ronsa Court  
Mississauga, Ontario  
L5R 4E1 Canada  
1-888-335-6644

  DeLonghi 2003