

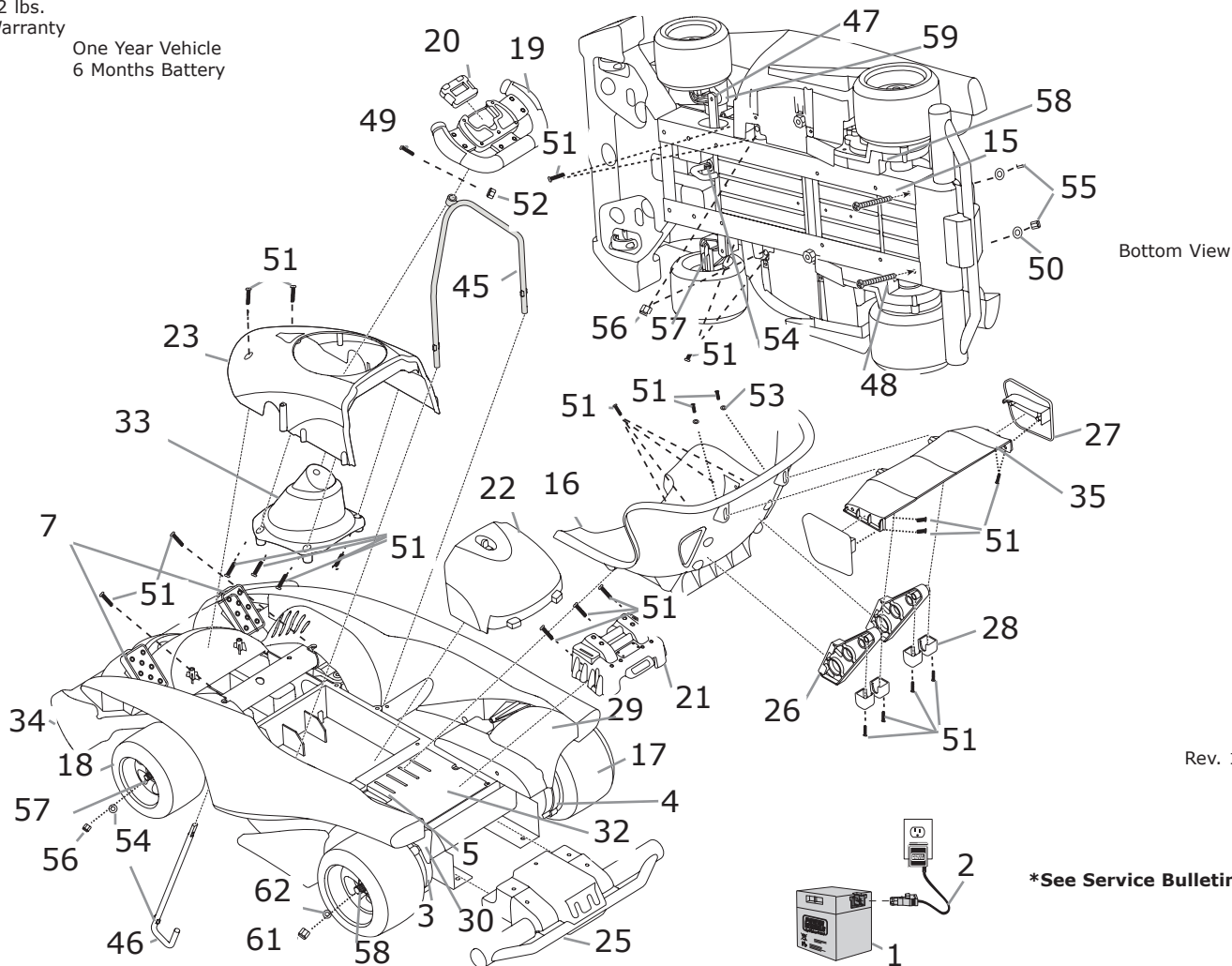
Age Range: 3 and up
 Weight Limit: 120 lbs
 Surfaces: Hard
 Speed: 7MPH Forward
 Colors: Red Body/Black Seat
 Intro: 2004
 Suggested Retail: 199.99
 Box Dimensions:
 21 x 9.5 x 38
 42 lbs.
 Warranty

One Year Vehicle
 6 Months Battery



C0532 GT Racer Kart

Performance Series 12V



Rev. 12/7/05

*See Service Bulletin 178

Item No.	Description	Part No.	Qty. Item	Part	No. Qty.	Description	No.
Working / Electrical Parts							
1.	12V Battery	00801-1048	1				
2.	12V Charger	00801-0972	1				
3.	Left Motor Grbox Assy. N/A00968-4900		1				
4.	Right Motor Grbox Assy. N/A00968-4901		1				
5.	Main Harness Assembly C0532-9799		1				
7.	Footboard Assembly C0532-9229		1				
Plastic / Other Parts							
15.	(Frame)	N/A	1				
16.	Seat	C0532-2309	1				
17.	Rear Wheel	C0532-2129	2				
18.	Front Wheel	C0532-2139	2				
19.	*Steering Wheel Assembly	C0532-9409	1				
20.	Stopwatch	C0532-9529	1				
21.	Pretend Motor	C0532-2319	1				
22.	Battery Cover (Clamp)	C0532-9369	1				
23.	Cowling	C0532-2219	1				
25.	Rear Bumper	C0532-2379	1				
26.	Struts (Left and Right)	C0532-9019	2				
27.	Flaps (Left and Right)	C0532-9029	2				
28.	Caps (Wing Retainer)	C0532-2459	4				
29.	Right Rear Fender	C0532-2179	1				
30.	Left Rear Fender	C0532-2189	1				
32.	PC Board Cover	C0532-2039	1				
33.	Top Cowling	C0532-2519	1				
34.	Front Wing	C0532-2209	1				
35.	Rear Wing	C0532-2389	1				
Hardware / Metal Parts							
45.	Steering Tube	C0532-4089					
46.	*Steering Column	C0532-9099					
47.	Steering Linkage Assy.	C0532-9089					
48.	1/4-20 x 3 Screw N/A (Order Hardware Bag)		2				
49.	#8-32 x 7/8 Screw N/A (Order Hardware Bag)		1				
50.	1/4 Washer	00801-1337	2				
51.	#8 x 3/4 Screw	00912-8001	35				
52.	#8 x 32 Lock Nut N/A (Order Hardware Bag)		4				
53.	3/16 Washer N/A (Order Hardware Bag)		2				
54.	.375 Washer For Steering Link.	00801-1335	1				
55.	1/4-20 Lock Nut N/A (Order Hardware Bag)		2				
56.	3/8-16 Lock Nut	00905-0116	4				
57.	Front Axle	C0532-4519	2				
58.	Rear Axle	C0532-4539	1				
59.	Front Axle Support	C0532-2069	2				
61.	1/2 x 13 Nylok Hex Nut	00905-0115	2				
62.	Rear Bearing Washer	00801-1300	4				
Parts Not Shown							
	Parts Bag	C0532-9259	1				
	Hardware Bag	C0532-9269	1				
	**Owners Manual	C0532-0920	1				
	Decal Sheet	C0532-0330	1				
	Hot Wheels Racing Guide	C0530-0300	1				
	Stencil/Pylon Sheet	C0530-2019	1				
	Chalk	C0530-9039	2				
	Footswitch (Plunger Type)	00801-0933	2				
	PC Board	C0532-9539	1				
	Front Bearing Washer	00801-1335	6				
	Front Wheel Spacer	C0532-4629	2				
	Front Axle Bearing	C0532-4529	4				
	Rear Wheel Spacer	C0532-4639	2				
	Rear Axle Drive Spacer	C0532-4549	2				
	Rear Axle Bearing	C0532-4559	4				
	Rear Axle Bushing	C0532-2149	2				
	Additional Seat Screws	00912-8001	6				
	Gearbox W/out Motor	00968-4800	2				
	Wire Cover	C0532-2249	1				
	Motor Harness	C0532-9699	2				
	Thick 1/2 Washer N/A		2				
	8-32 x 1.5 Machine Screw N/A		4				
	Left Motor Pinion	00968-4704D	2				
	Right Motor Pinion	00968-4705D	2				

N/A = Not Available. **Bold and Underlined parts are to be purchased and installed by Service Centers only. These items may not be sold directly to consumers by Service Centers or Fisher-Price. **Service Centers: Please refer to the service bulletin titled C0530_C0532Instruct regarding part discrepancy in manual**