



Philips Domestic Appliances and Personal Care

Service Manual

PRODUCT INFORMATION

General:

- Mains/rechargeable operation
- World-wide automatic voltage selection
- Electronic on/off button
- Washable

Safety information

- This product meets the requirements regarding interference suppression on radio and TV.
- After the product has been repaired, it should function properly and has to meet the safety requirements as officially laid down at this moment.

TECHNICAL INFORMATION

- Voltage : 100 - 240 Volt / 50- 60 Hz
- Motor voltage : 3,6 Volt
- Shaving heads : HQ9 - 4222 036 11150
- SAP coding : 8160XL

Shaving Performance:

If customers complain about poor shaving performance of the triple-track shaving heads, replacing the driving unit is recommended.

■ = changed

DISASSEMBLY- AND RE-ASSEMBLY ADVICE

Disassembly:

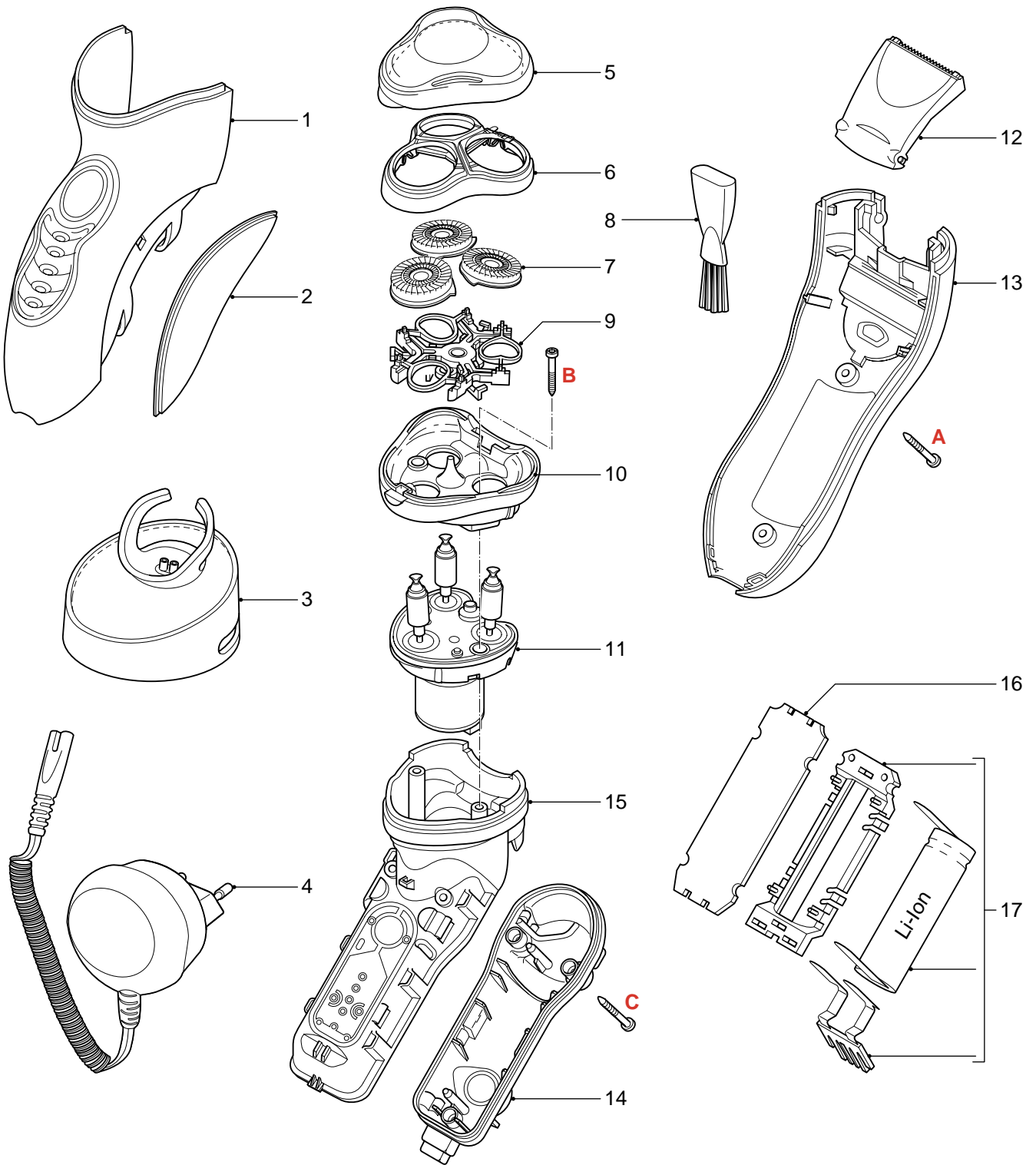
- Remove shaving unit, to prevent damaging during repairing.
- Remove the 2 screws **A** on the backside of the shaver.
- Remove the 2 screws **B** out of the hairchamber.
- Remove the hairchamber from the body.
- Remove the cover.
- Take out the basic body.
- Remove the 3 screws **C** on the cover side off the basic body.
- Remove the cover from the basic body.
- Remove the mains from the motor by turning and pulling the wires out of the motor.
- Remove the driving unit by pushing the motor.

REPAIR INSTRUCTION

- No specific issues

OPTIONAL (accessories)

- Pouch ME : 4222 036 11500
- Pouch Halley : 4222 036 11460
- Washing machine : 4222 036 11660
- - Washing machine Jet clean II : 4222 036 13990
- Cleaningroom-assy : 4222 036 11580
- Container-assy : 4222 036 11620
- Container-plug-assy : 4222 036 12320



Pos	Service code	Description	
1	4222 036 12060	Housing-assy	8160XL
2	4222 036 12100	Grip left & right	
3	4222 036 12120	Stand	
4	4222 036 05160	Power plug	NOR
5	4222 036 12130	Protection cap	Corona
6	4222 036 12150	Bracket-assy	
7	4222 036 11150	Shaving heads	
8	4222 036 02770	Brush	
9	4222 036 11220	Holder-assy	

Pos	Service code	Description
10	4222 036 12160	Hairchamber
11	4222 036 12190	Driving unit 3,6 V
12	4222 036 12220	Trimmer assy
13	4222 036 12270	Cover-assy
14	4222 036 12200	Cover assy BB
15	4222 036 12210	Housing assy BB
16	4222 036 12370	Power supply
17	4222 036 12390	Spacer assy
	4222 036 11480	Screw