

# 78538-9993 Jeep® Wrangler (Blue)

Advanced Series

12-Volt

See Service Bulletin 169

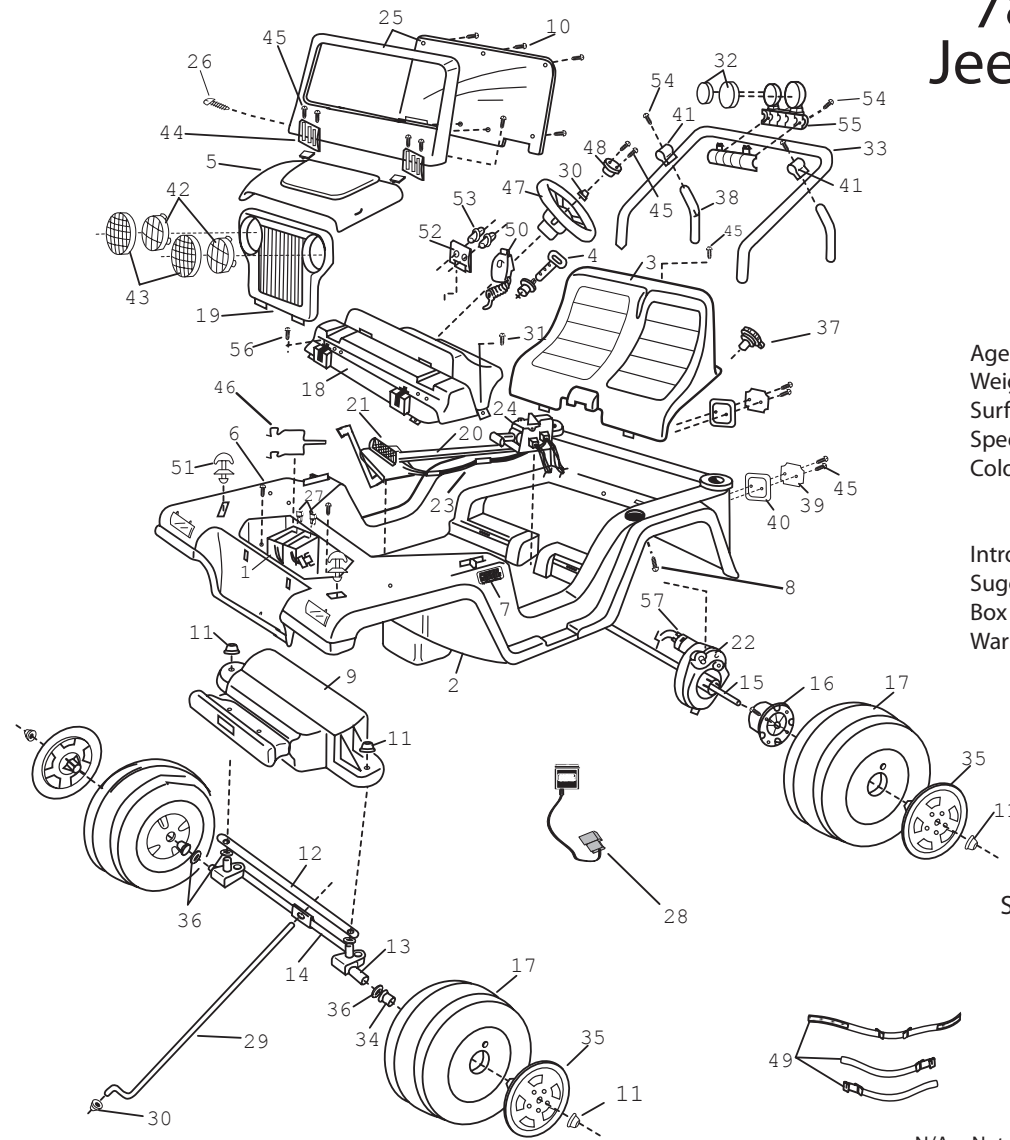
Age Range: 3-7 Yrs.  
 Weight Limit: 130 Lbs.  
 Surfaces: Hard, Grass & Hills  
 Speed: 2.5 / 5.0 MPH  
 Colors: Blue Body  
 Black Wheels  
 Yellow Flame Trim  
 Intro: 7-23-98  
 Suggested Retail: \$199.99  
 Box Dimensions: 50.25 x 19.65 x 33.5"  
 Warranty: 90 Days Vehicle  
 6 Months Battery

This product is affected by the PW recall announced Oct 1998. Please confirm that the product is modified or remediated in accordance with policy.

Service Bulletin 169

N/A = Not Available

Rev. 10/23/06



Item	Part	No.	Description	No.	Qty	Item	Part				
1	Battery	00801-0712	2	<b><u>23 Harness Assembly</u></b>	<b><u>78490-9899 1</u></b>	46	Battery Retainer	74440-4019	1		
2	Body N/A	78538-2109	1	24	Shifter Assembly	74310-9239	1	47	Steering Wheel	74440-2379	1
3	Seat	78490-2319	1	25	Windshield Assembly N/A	78538-9769	1	48	Steering Wheel Button	74550-2729	1
4	Key/Housing Assembly	78490-9369	1	26	Frame Screw #10 x 3" N/A	0801-0256	2	49	Seatbelt Set (3 Pcs.)	74460-5339	1
5	Hood N/A	78538-2159	1	27	Thermal CDI - 27 Amp. Fuse	0801-0711	2	50	Mic w/Cord	73233-9479	1
6	1/4" x 1-1/2" Screw N/A	0801-0578	2	28	12 Volt Charger	00801-0973	1	51	Hood Latch	78490-9559	2
7	PW Emblem	74460-9069	2	29	Steering Column	78490-4239	1	52	Knob Bezel	74440-2719	1
8	1/4"x1-1/2" Roll Bar Screws	0801-0467	2	30	.354 Cap Nut (Black)	0801-0604	3	53	Dash Knob	74020-2719	2
	(N/A seperately order small parts bag			31	#10 x 1/2" Screw N/A	0801-0540	2	54	#6 x 1-1/2" Screw	0801-0221	4
N/A)				32	Light Cover	74460-2169	2	55	Light Rack	78457-9349	1
9	Front Module N/A	784902119A	1	33	Sport Bar	74450-9219	1	56	#10 x 1" Screw (in dash)	0801-0220	2
10	Screw #8 x 1/2"	0801-0202	7	34	Axle Bushing	74550-2689	2	<b><u>57 Motor w/ Pinion</u></b>	<b><u>74440-9579 2</u></b>		
11	.437 Cap Nut (Black)	0801-0226	6	35	Hubcap	74440-2579	4	<b>Parts Not Shown</b>			
12	Cross Bar	74460-4419	1	36	7/16" Washer	0801-0196	4	Decal Main Sheet	78538-0310	1	
13	Front Axle	74440-4509	2	37	Gas Cap	74526-2089	1	Literature Bag N/A	78538-9019	1	
14	Steering Linkage Assy.	744409419A	1	38	Sport Bar Support	78490-2229	2	Large Parts Bag N/A	78538-9249	1	
15	Rear Axle	74440-4519	1	39	Taillight Lens Set	73233-2279	1	Small Parts Bag N/A	78490-9359	1	
16	Wheel Driver	74460-2249	2	40	Taillight Housing Set	73233-2759	1	<b><u>#7 Gearbox w/o Motor (Blk) 00968-2802 2</u></b>			
17	Wheel	3800-6799	4	41	Sport Bar Bracket Set	78490-2179	1	Use & Care Manual N/A	78538-0920	1	
18	Dash N/A	78538-2689	1	42	Headlight Lens (Blue)	74440-2879	2				
19	Grille N/A	78538-2749	1	43	Headlight Lens Guard	74460-2339	2				
20	Channel Cover N/A	78538-2389	1	44	Windshield Bracket N/A	78538-2779	2				
21	Footboard Assembly	78490-9829	1	45	#8 x 1" Screw	0801-0224	11				
22	<b><u>#7 Gearbox w/Motor</u></b>	<b><u>00968-2902 2</u></b>									

Bold and Underlined parts are to be purchased and installed by Service Centers only. These items may not be sold directly to consumers by Service Centers or Fisher-Price.

