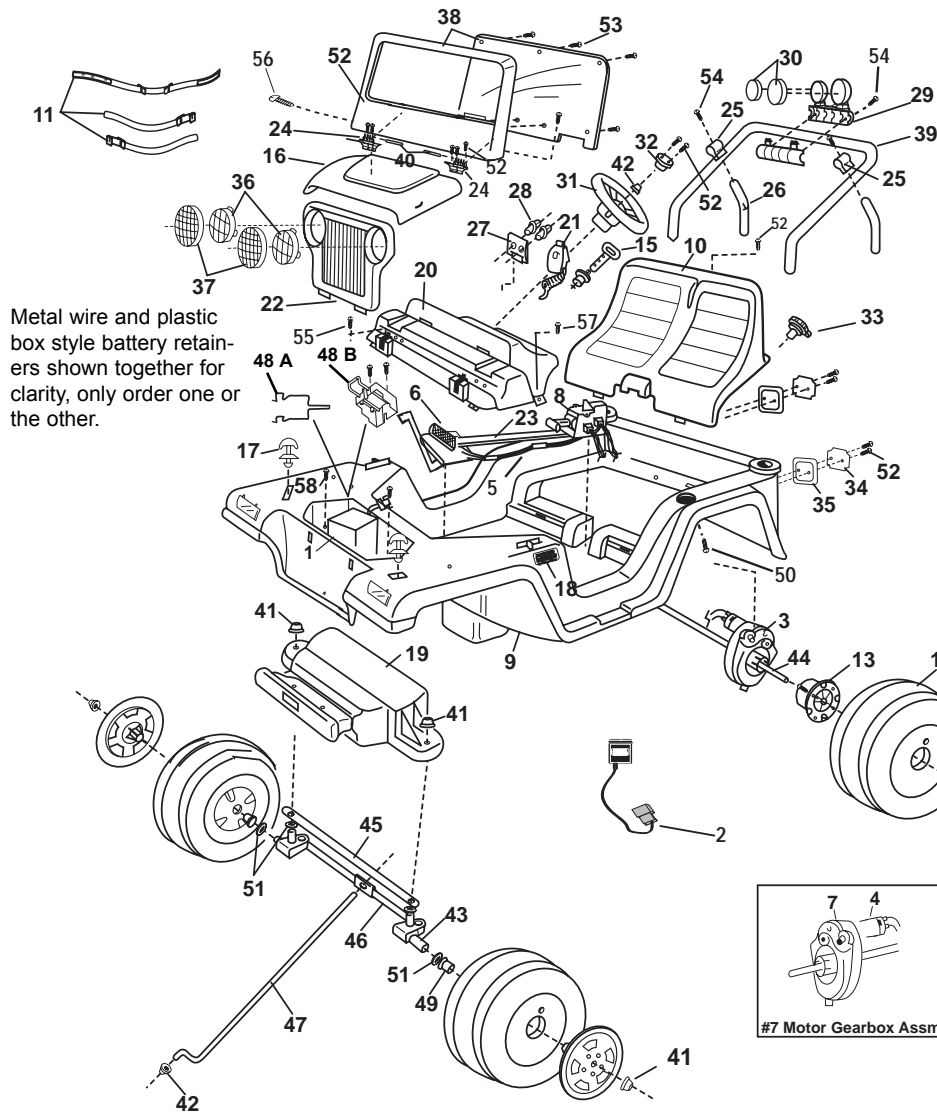


# 78537-9993 Jeep® Wrangler

Advanced Series  
12-VOLT

Age Range: 3-7 Yrs.  
Weight Limit: 130 Lbs.  
Surfaces: Hard, Grass & Hills  
Speed: 2.5 / 5.0 MPH Forward  
2.5 MPH Reverse  
Colors: Blue Body  
Intro: 2/7/00  
Suggested Retail: \$189.99 - 199.99  
Box Dimensions: 20" x 50" x 34"  
In Box Weight: 68 Lbs.  
Warranty: One Year Vehicle  
6 Months Battery



Rev. 08/12/03

| Item No.                          | Description                      | Part No.          | Qty. | Item No.                      | Description            | Part No.    | Qty. | No.   | Item Description                  | No.        | Part Qty. |
|-----------------------------------|----------------------------------|-------------------|------|-------------------------------|------------------------|-------------|------|---|-----------------------------------|------------|-----------|
| <b>Working / Electrical Parts</b> |                                  |                   |      | 78537-2779                    |                        | 2           |      | 49A   | Battery Retainer before 2/7/00    | 74020-4819 | 1         |
| 1                                 | Battery                          | 00801-0638        | 1    | 25                            | Sport Bar Bracket Set  | 74020-2179  | 1    | 48B   | Battery Retainer after 2/7/00     | 74020-9819 | 1         |
| 2                                 | 12V Charger (single battery)     | 00801-0973        | 1    | 26                            | Sport Bar Support      | 78490-2229  | 2    | 49  | Axle Bushing                      | 74550-2689 | 2         |
| 3                                 | <b>#7 Motor Gearbox Assembly</b> | <b>00968-2902</b> | 2    | 27                            | Knob Bezel             | 74020-2719  | 1    | 50  | 1/4"x1-1/2" Roll Bar Screws       | 0801-0467  | 2         |
| 4                                 | <b>Motor Pinion Assembly</b>     | <b>74440-9579</b> | 2    | 28                            | Dash Knob              | 74526-2199  | 2    | (N/A separately / order hardware parts bag)   |                                   |            |           |
| 5                                 | <b>Main Harness Assembly</b>     | <b>78490-9699</b> | 1    | 29                            | Light Rack             | 74340-9349  | 1    | 51  | 7/16" Washer                      | 0801-0196  | 4         |
| 6                                 | Footboard Assembly               | 78490-9829        | 1    | 30                            | Light Cover            | 78537-2169  | 2    | 52  | #8 x 1" Screw                     | 0801-0224  | 11        |
| 7                                 | <b>#7 Gearbox w/out Motor</b>    | <b>00968-2802</b> | 2    | 31                            | Steering Wheel         | 74440-2379  | 1    | 53  | #8 x 1-1/4" Screw                 | 0801-0216  | 10        |
| 8                                 | Shifter Assembly                 | 73690-9439        | 1    | 32                            | Steering Wheel Button  | 74550-2729  | 1    | 54  | #6 x 1-1/2" Screw                 | 0801-0469  | 4         |
| <b>Plastic / Other Parts</b>      |                                  |                   |      | 33                            | Gas Cap                | 74526-2089  | 1    | 55  | #10 x 1" Screw (in dash)          | 0801-0220  | 2         |
| 9                                 | Body (N/A)                       | 78537-210A        | 1    | 34                            | Taillight Lens Set     | 73233-2279  | 1    | 56  | #10 x 3" Frame Screw N/A          | 0801-0256  | 2         |
| 10                                | Seat                             | 78490-2319        | 1    | 35                            | Taillight Housing Set  | 74020-2759  | 1    | 57  | #10 x 1/2" Screw N/A              | 0801-0540  | 2         |
| 11                                | Seatbelt Set                     | 74460-5339        | 1    | 36                            | Headlight Lens         | 74440-2879  | 2    | 58  | 1/4" x 1-1/2" Self Tapp Screw N/A | 0801-0578  | 2         |
| 12                                | Wheel                            | 74020-2459        | 4    | 37                            | Headlight Lens Guard   | 74460-2339  | 2    |   |                                   |            |           |
| 13                                | Wheel Driver                     | 74460-2249        | 2    | 38                            | Windshield Assembly    | 74020-9619  | 1    |   |                                   |            |           |
| 14                                | Hubcap                           | 74020-2579        | 4    | <b>Hardware / Metal Parts</b> |                        |             |      | <b>Parts Not Shown</b>                        |                                   |            |           |
| 15                                | Key/Housing Assembly             | 78490-9369        | 1    | 39                            | Sport Bar              | 74450-9219  | 1    | Large Parts Bag N/A 78537-9249 1              |                                   |            |           |
| 16                                | Hood                             | 78537-235A        | 1    | 40                            | Windshield Hinge Pin   | 0801-0257   | 2    | Small Parts Bag N/A 78537-9259 1              |                                   |            |           |
| 17                                | Hood Latch                       | 74020-9559        | 2    | 41                            | .437 Cap Nut (Black)   | 0801-0226   | 6    | Literature Bag 78537-9019 1                   |                                   |            |           |
| 18                                | PW Emblem                        | 74460-9069        | 2    | 42                            | .354 Cap Nut (Black)   | 0801-0604   | 2    | Hardware Bag 74020-9059A 1                    |                                   |            |           |
| 19                                | Front Module                     | 74020-2119        | 1    | 43                            | Front Axle             | 74440-4509  | 2    | Owner's Manual N/A 78537-0920 1               |                                   |            |           |
| 20                                | Dash (red)                       | 4000-0245         | 1    | 44                            | Rear Axle              | 74440-4519  | 1    | Main Label Sheet 78537-0310 1                 |                                   |            |           |
| 21                                | Mic w/Cord                       | 73233-9479        | 1    | 45                            | Cross Bar              | 74460-4419  | 1    | Holographic Wrangler Label Sheet 74020-0320 1 |                                   |            |           |
| 22                                | Grille                           | 74020-2849        | 1    | 46                            | Steering Linkage Assy. | 74440-9419A | 1    | <b>Footswitch</b> <b>0801-0933</b> 1          |                                   |            |           |
| 23                                | Channel Cover                    | 78537-2289        | 1    | 47                            | Steering Column        | 78490-4239  | 1    |   |                                   |            |           |
| 24                                | Windshield Bracket               |                   |      |                               |                        |             |      |   |                                   |            |           |

N/A = Not Available

**Bold and Underlined parts are to be purchased and installed by Service Centers only. These items may not be sold directly to consumers by Service Centers or Fisher-Price.**