

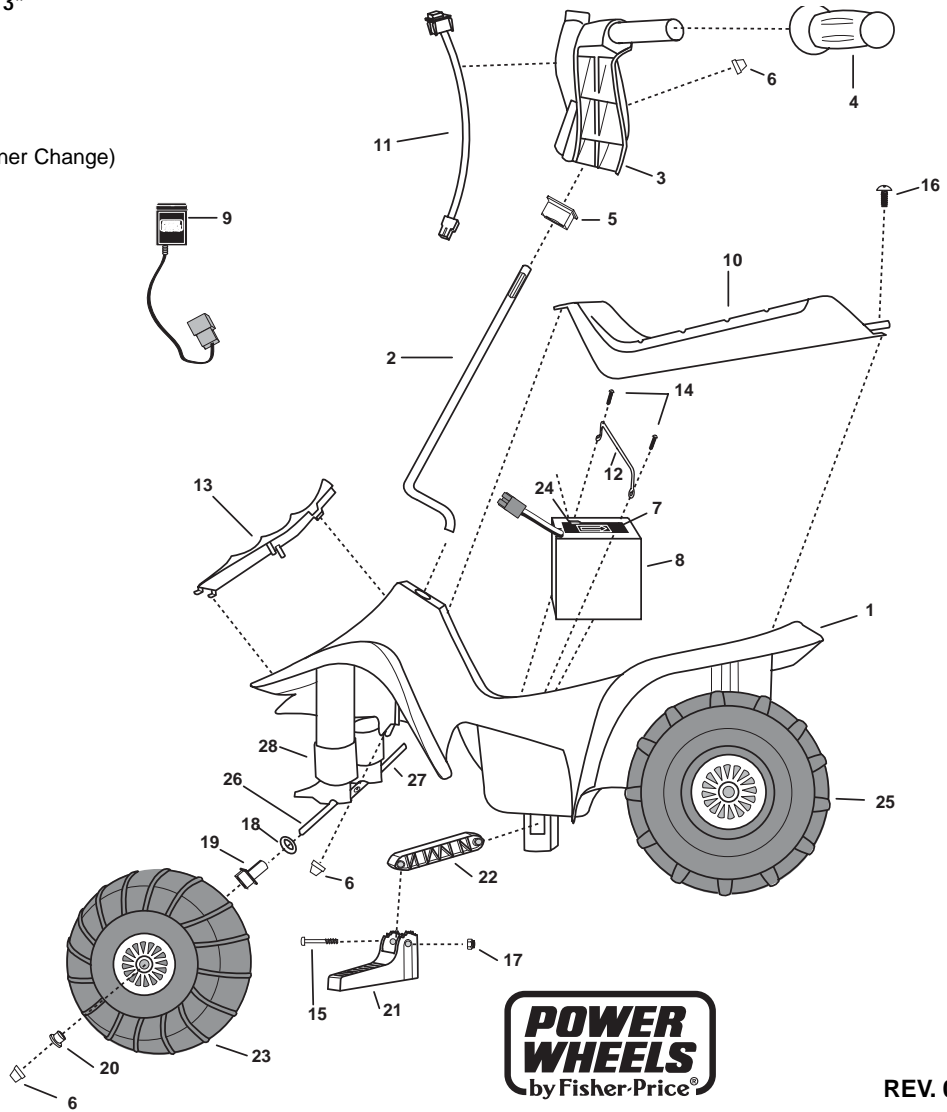
Age Range: 1-3 Yrs.
 Weight Limit: 40 Lbs.
 Surfaces: Hard & Grass
 Speed: 1 MPH
 Colors: White Body
 Blue Trim & Seat & handlebars
 Yellow Handgrips

Avail: 12-13-96 - 1997
 Suggested Retail: \$74.99
 Box Dimensions: 27" x 17.25" x 13.13"
 Warranty: 90 Vehicle
 6 Months Battery

76990-9993 Lil Kawasaki Toys R Us Exclusive

Toddler Series
 6 Volt / 4 Amp

Service Bulletin 149 (Seat Fastener Change)



N/A = Not Available

REV. 09/02/03

Item No.	Part Description	Part No.	Qty.	Item No.	Part Description	Part No.	Qty.	Item No.	Part Description	Part No.	Qty.
1	Vehicle Body (N/A)	77440-2109	1	15	#10 x 1 1/4" Bolt	0801-0304	2	PARTS NOT SHOWN			
2	Steering Column	76940-4239	1	16	#10 x 1/2" Bolt N/A	*0801-0271	1		Label Sheet N/A	76990-0310	1
3	Handlebar (blue) N/A	76990-2139	1	17	Lock Nut N/A	0801-0218	2		Literature Bag N/A	76990-9019	1
4	Handgrip (yellow) N/A	76940-2159	2	18	5/16" Washer	0801-0253	2		Owner's Manual N/A	76990-0920	1
5	Bushing w/out Extension	74504-2549	1	19	Bushing w/Long Extension	78560-2659	2		Large Parts Bag N/A	76990-9249	1
6	Cap Nut .354 (white)	**0801-0251	6	20	Round Bushing	78560-2679	2		Small Parts Bag N/A	76940-9259	1
7	6 Volt / 4 Amp Battery	0801-0336	1	21	Footrest N/A	77440-2169	2		Motor Cover	73560-9489	1
8	Foam Pocket	73560-0401	1	22	Footrest Support	76940-2179	1		Rear Axle	74504- 4539	1
9	Charger	00801-0976	1	23	Front Wheel N/A	73237-2469	2		#5 Motor Gearbox	74504-9519	1
10	Seat (blue) N/A	*77440-2819	1	24	25 Amp Fuse	0801-0151	1		<u>Main Harness (4 AH) N/A</u>	<u>78560-2789</u>	<u>1</u>
11	Switch Assembly	78560-2799	1	25	Rear Wheel	73237-2459	2		<u>Gearbox w/out Motor</u>	<u>72629-9259</u>	<u>1</u>
12	Battery Retainer	74504-4429	1	26	Steering Linkage Assembly	74504-4219	1		<u>Motor w/Pinion</u>	<u>75520-9539</u>	<u>1</u>
13	Grille	77440-2839	1	27	Front Axle	74504-4509	2				
14	#8 x 7/8" Screw	0801-0228	2	28	Bushing, Front/Green N/A	77440-2679	1				

Bold and Underlined parts are to be purchased and installed by Service Centers only. These items may not be sold directly to consumers by Service Centers or Fisher-Price.

* See Service Bulletin 149 ** Use Cap Nut 0801-0548 When 0801-0251 Is Gone