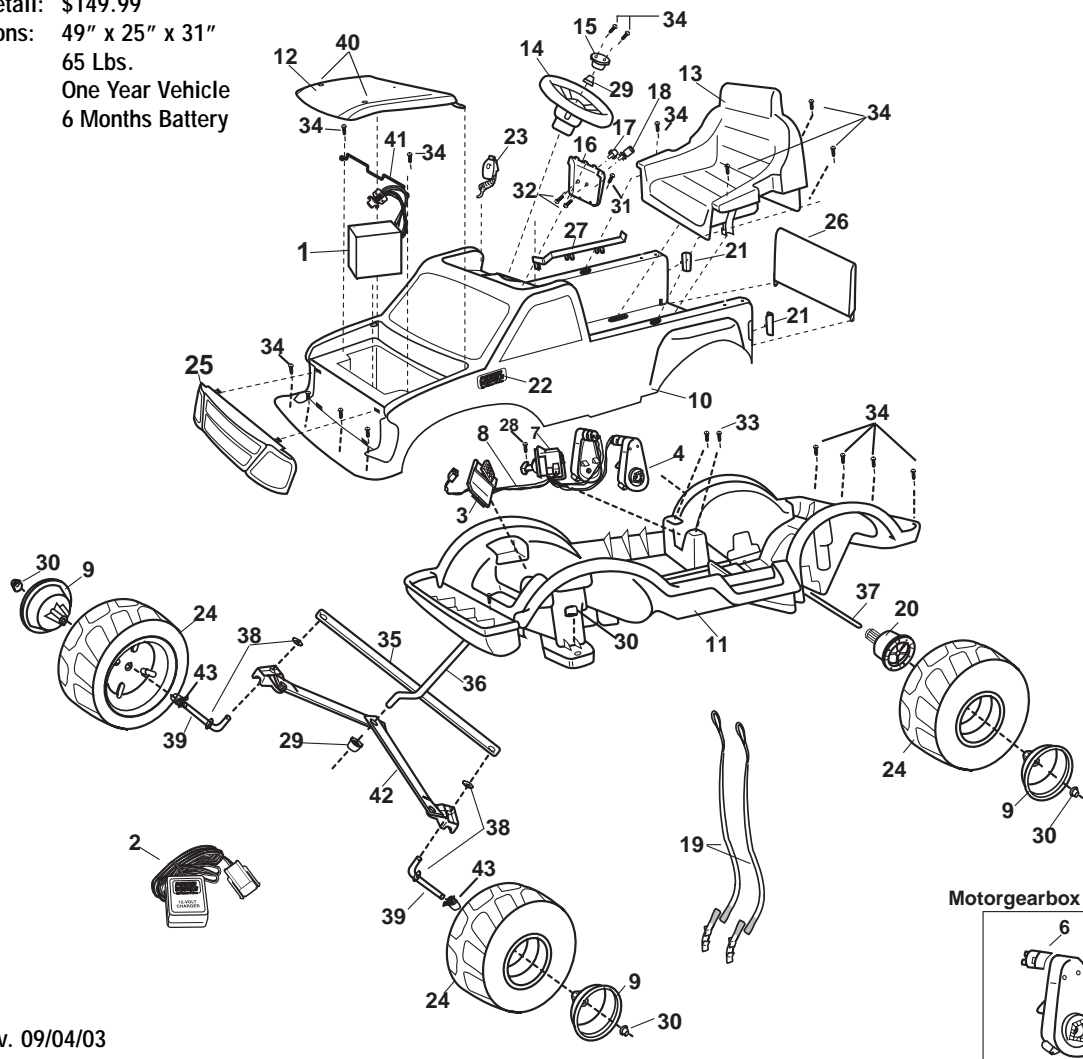


Age Range: 3-6 Yrs.
 Weight Limit: 65 Lbs.
 Surfaces: Hard, Grass & Asphalt
 Speed: 3.5 MPH Forward & Reverse
 Colors: Black Body
 Yellow Trim
 Flame Decals

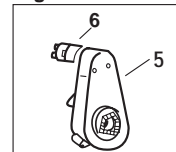
Intro: 7-9-99
 Suggested Retail: \$149.99
 Box Dimensions: 49" x 25" x 31"
 65 Lbs.
 Warranty: One Year Vehicle
 6 Months Battery

75547-9993 Ford Flashback 4 x 4 (TRU)

Preschool Series
 Super 6 Volt



Motorgearbox Assembly



Rev. 09/04/03

Item No.	Description	Part No.	Qty.	Item No.	Description	Part No.	Qty.	Item No.	Description	Part No.	Qty.
Working / Electrical Parts				18	Key	75547-2049	1	37	Rear Axle	74420-4519	1
1	6 Volt Battery	0801-0712	1	19	Seatbelt Set (2 pcs.)	74210-5519	1	38	7/16" Washer	0801-0196	4
2	Super 6 Volt Charger	00801-0974	1	20	Driver	74440-2229	2	39	Front Axle	74420-4509	2
3	Footboard Assembly	75547-9829	1	21	Taillight Lens Set	74420-2059	1	40	Lock Fastener	78570-2439	2
4	#3B Gearbox w/Motor	74180-9519	2	22	PW Emblem	74460-9069	2	41	Battery Retainer	74420-4019	1
5	#3B Gearbox w/Out Motor	74550-9279	1	23	Microphone	74420-9619	1	42	Steering Linkage N/A	74420-4289	1
6	Motor w/Pinion	74580-9539	2	24	Wheel	74420-2459	4	43	Axle Bushing	74550-2689	2
7	Shifter Assy.	75547-9439	1	25	Grille	75547-214A	1	Parts Not Shown			
8	Wire Harness Assm.	78474-9889	1	26	Tailgate	74420-213A	1	Main Decal	75547-0310	1	
Plastic Parts / Other				Hardware				Literature Bag N/A			
9	Hubcap N/A	75547-2079	4	28	1" High Speed Lock Out Screw	0801-0254	1	Large Parts Bag N/A			
10	Vehicle Body (N/A)	74420-210A	1	29	.354 Cap Nut	0801-0604	2	Small Parts Bag N/A			
11	Tub (N/A)	75547-2119	1	30	.437 Cap Nut	0801-0226	6	Owner's Manual			
12	Hood	74420-212A	1	31	#6 x 1/2" Screw	0801-0222	2	Hardware Bag			
13	Seat	75547-2309	1	32	#6 x 3/8" Screw N/A	0801-0219	2	74210-9259A			
14	Steering Wheel	74340-2319	1	33	#8 x 7/8" Trusshead Screw	0801-0228	2				
15	Steering Wheel Cap	74340-2339	1	34	#8 x 1" Screw (Black) N/A	0801-0224	16				
16	Dash (Soundbox) Cover N/A	74210-2099	1	35	Crossbar N/A	74420-4259	1				
17	Dash Knob	75547-2089	1	36	Steering Column	74420-4239	1				

N/A = Not Available **Bold and Underlined parts are to be purchased and installed by Service Centers only. These items may not be sold directly to consumers by Service Centers or Fisher-Price.**

