

Age Range: 3 Yrs & Up
 Weight Limit: 65 Lbs.
 Surfaces: Hard, Grass & Hills
 Speed: Forward 2.5 & 5.0 MPH
 Reverse 2.5 MPH

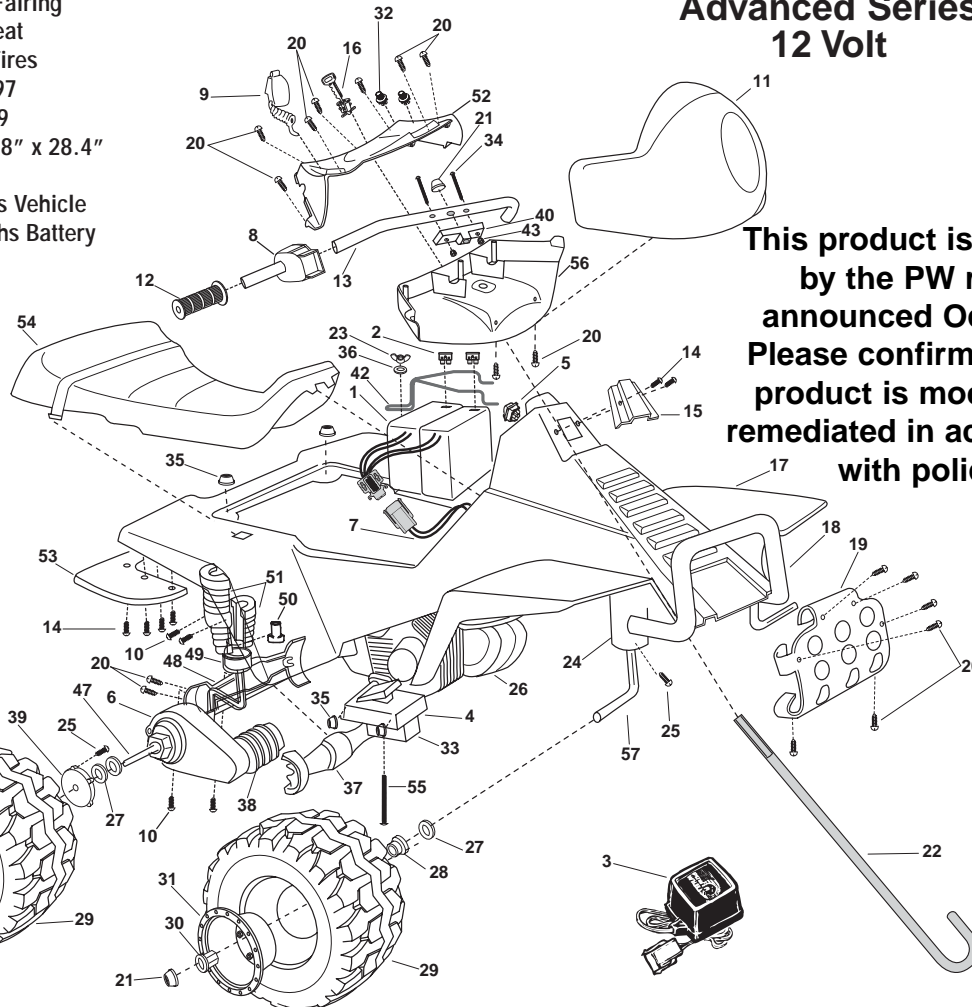
Colors: Green Body
 White Fairing
 Blue Seat
 Black Tires

Intro: 12-10-97
 Suggested Retail: \$189.99
 Box Dimensions: 35" x 18" x 28.4"
 In-Box Weight: 51 Lbs.
 Warranty: 90 Days Vehicle
 6 Months Battery

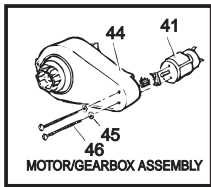


74750-9993 Kawasaki Ninja 98

Advanced Series
12 Volt



This product is affected by the PW recall announced Oct 1998. Please confirm that the product is modified or remediated in accordance with policy.



REV.01/12/04

Item No.	Description	Part No.	Qty.	Item No.	Description	Part No.	Qty.	Item No.	Description	Part No.	Qty.
1	Battery	00801-0712	2	26	False Motor N/A	74750-9059	1	51	Shock Set N/A	74750-9089	2
2	Thermal CDI 27 Amp N/A	0801-0610	2	27	7/16" Washer	0801-0196	6	52	Handlebar Housing Top N/A	74750-2759	1
3	Charger	00801-0973	1	28	Axle (Round) Bushing	74550-2689	2	53	Mudflap Set N/A	74750-9289	1
4	Footboard Assembly N/A	74750-9149	1	29	Wheel N/A	74750-2469	4	54	Seat	745902309A	1
5	Control Switch	00801-0885	2	30	Hex Bushing	73233-2559	4	55	Carriage Bolt N/A (Order Hardware Bag)	0801-0305	1
6	3B Motor/Gearbox Assm.	74110-9519	2	31	Hubcap	74590-2579	4	56	Handlebar Housing Bottom N/A	No Sub Parts	
<u>7</u>	<u>Main Wiring Harness</u>	<u>76816-9799</u>	<u>1</u>	32	Radio Knobs	78570-2179	2	57	Front Axle N/A	76816-4429	1
8	Sound Box	74750-9449	1	33	Bottom Cover Footboard	74110-2179	1				
9	**Microphone	74550-9479	1	34	#10 x 1-1/2" Phillips N/A	76222-4459	2				
10	#6 x 1/2" (Black) Screw	0801-0280	8	35	.354 Cap Nut	0801-0604	6				
11	Fairing, N/A	74750-2749	1	36	#10 (Small) Washer N/A	0801-0195	1				
12	Handgrip Set N/A	74750-9229	1	37	Rear Axle Cov(inside/7") N/A	74750-2739	1				
13	Handlebar	74750-4229	1	38	***Motor Cover	74750-2359	2				
14	#8 x 1/2" (Silver / Blunt) Screw	0801-0202	10	39	Driver	73233-2239	2				
15	Cover Plate N/A	74590-2169	1	40	Handlebar Neck	76816-4289	1				
16	Key Assembly N/A	74550-2439	1	<u>41</u>	<u>Motor w/Pinion</u>	<u>74590-9539</u>	<u>2</u>				
17	Body N/A	74750-2109	1	42	Battery Retainer	76262-4489	1				
18	Roll Bar N/A	74750-4219	1	43	Lock Nut N/A	0801-0318	2				
19	Brushguard N/A	74750-2189	1	<u>44</u>	<u>Gearbox W/Out Motor</u>	<u>74550-9279</u>	<u>2</u>				
20	#8 x 3/4" (Black) Screw	0801-0223	19	<u>45</u>	<u>Star Washer N/A</u>	<u>0801-0330</u>	<u>4</u>				
21	***.437 Cap Nut (White)	0801-0227	5	<u>46</u>	<u>Motor Bolts</u>	<u>0801-0269</u>	<u>4</u>				
22	Steering Column	74750-4249	1	47	Rear Axle N/A	76816-4539	1				
23	Wing Nut N/A	0801-0317	1	48	Rear Axle CovOutside/9" N/A	74750-2719	1				
24	Front Post Bushing N/A	74557-2669	2	49	Rear Post Bushing N/A	74590-2539	2				
25	#10 x 1/2" (Silver / Pointed) Screw	0801-0255	2	50	Rear Bushing w/Exten. N/A	74590-2669	2				

PARTS NOT SHOWN

Power Wheels Emblem Set	74460-9069	1
Main Decal Sheet N/A	74750-0310	1
Footrest N/A	74750-2129	2
Literature Bag N/A	74750-9019	1
Large Parts Bag #1 N/A	74750-9249	1
Small Parts Bag N/A	747509259A	1
Owner's Manual N/A	74750-0920	1
Steering Linkage N/A	74750-9239	1
Footboard Support Rod N/A	76262-4439	2
<u>Footswitch</u>	<u>00801-0933</u>	<u>1</u>
<u>Gearbox Insert N/A</u>	<u>76108-2259</u>	<u>2</u>

***White Cap Nut 0801-0227 changing to black cap nut 0801-0214

**** When 76803-2489 motor cover is depleted, sub to new 74750-2359 (effective 5-24-98).

Bold and Underlined parts are to be purchased and installed by Service Centers only. These items may not be sold directly to consumers by Service Centers or Fisher-Price.