

SERVICE BULLETIN 140

for (*) parts made on or before 9-20-94

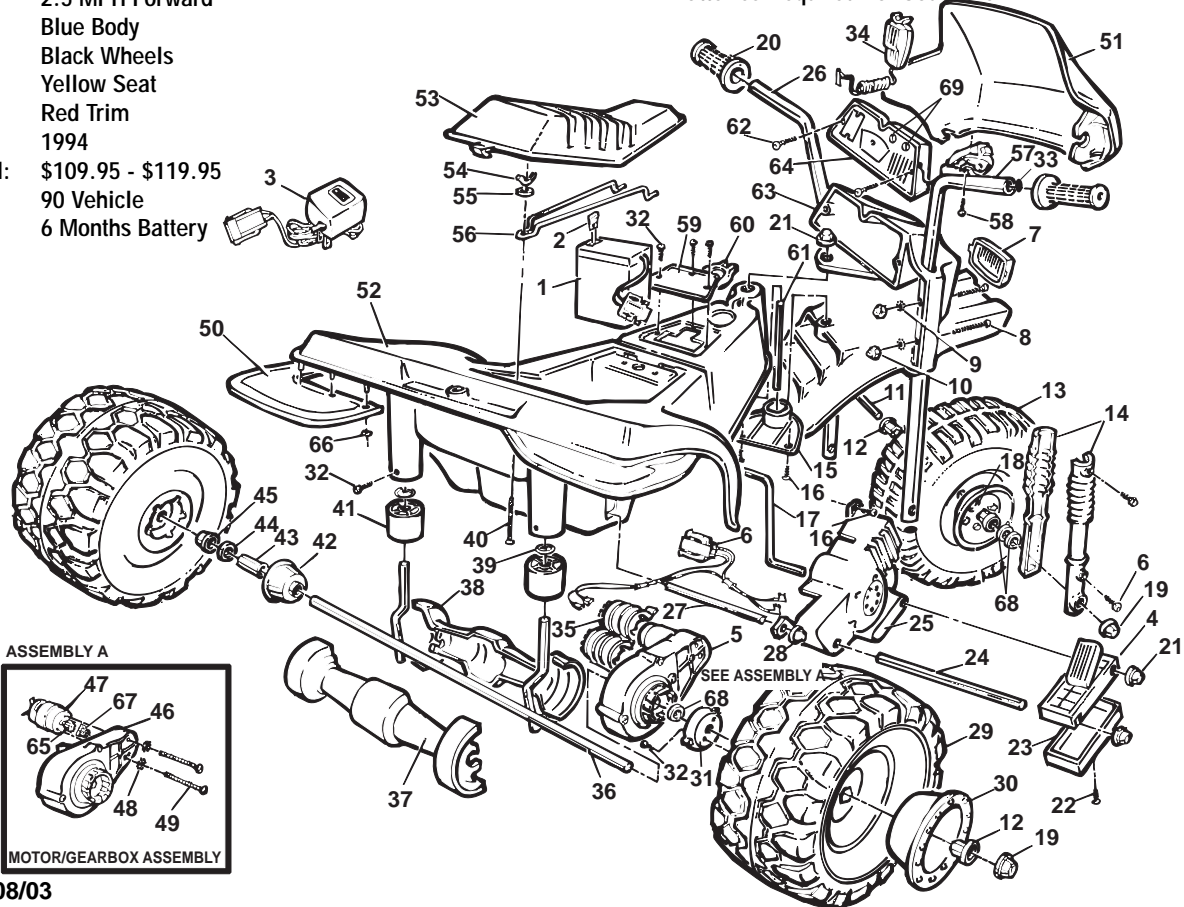
74530-9993 / 84530 CYCLE SOUND RAIDER™ 550

6 VOLT

Age Range: 1-1/2 - 6 Yrs,
Weight Limit: 50 Lbs.
Surfaces: Hard
Speed: 2.5 MPH Forward
Colors: Blue Body
Black Wheels
Yellow Seat
Red Trim

Intro: 1994
Suggested Retail: \$109.95 - \$119.95
Warranty: 90 Vehicle
6 Months Battery

2 AA Batteries Required For Sound Box



Rev. 12/08/03

Item No.	Description	Part No.	Qty.	Item No.	Description	Part No.	Qty.	Item No.	Description	Part No.	Qty.
1	Battery, Type H	00801-1234	1	28	.250 Retainer N/A	0801-0322	2	53	Seat (Yellow) N/A	76115-2819	1
2	25 amp Fuse Kit	0801-0151	1	29	Rear Wheel	78570-2469	2	54	Wing Nut N/A	0801-0317	1
3	Charger - 6 Volt	00801-0975	1	30	Rear Hubcap	74590-2579	2	55	#10 Washer N/A	76822-4409	1
4	Footboard Assy.	76108-9159	1	31	Wheel Driver	73233-2239	1	56	Battery Retainer N/A	76112-4419	1
5	3B Motor/Gearbox Assy N/A	74530-9519	1	32	#10 x 1/2" Screw	0801-0255	6	57	*Right Handlebar N/A	76115-4259	1
6	Wiring Harness N/A	76112-9799	1	33	Handlebar Cap Plugs N/A	74510-2169	4	58	#8 x 3/4" Plascrow	0801-0223	5
7	Headlight Lens N/A	76112-2129	1	34	Microphone/Cord	74550-9479	1	59	Switch Plate N/A	76115-2349	1
8	1-1/4" 10-32 Screw N/A	76125-4459	4	35	Motor Cover	74750-2359	1	60	Gas Cap N/A	76115-2249	1
9	Star Washer N/A	76108-4419	4	36	*Rear Axle Assembly (includes 39 & 41) N/A	76115-4549	1	61	Pivot Pin N/A	76108-4429	1
10	Acorn Nut N/A	0801-0218	4	37	Axle Cover (Outside) N/A	76115-2169	1	62	#8 x 1-1/2" Screw	0801-0308	2
11	* Front Axle N/A	76115-4509	1	38	Axle Cover (Inside) N/A	76115-2159	1	63	*Fender/Headlight N/A	74530-9289	1
12	Hex Bushing	73233-2559	4	39	Retainer .354 w/o Body N/A	0801-0252	2	64	Sound Box / Trigger N/A	76115-9459	1
13	Front Wheel N/A	76266-2459	1	40	Carriage Bolt N/A	0801-0305	1	65	D Lock Washer	0801-0329	1
14	Shock Set N/A	76115-2339	2	41	Post Bushing N/A	78475-9259A	1	66	Retainer w/o Body N/A	78480-2249	8
15	* Flex Plate Base N/A	76115-2259	1	42	Hubcap w/o Shoulder N/A	76108-2369	1	67	Motor Drive Gear	74550-2269	1
16	#8 x 1/2" Plascrow	0801-0202	5	43	Long Spacer N/A	76092-2549	2	68	1/4" Plastic Washer	73233-2369	5
17	False Motor Support (N/A)	80021-0074	1	44	Washer 7/16"	0801-0196	1	69	Radio Knobs N/A	76115-2189	2
18	Front Hubcap (White)	73233-2579	2	45	Wheel Bushing	74550-2689	1				
19	.437 Cap Nut (Black)	0801-0214	4	46	3B Gearbox	74550-9279	1	PARTS NOT SHOWN			
20	Handgrip N/A	76115-2179	2	47	6V Motor N/A	74510-0640	1	Decal Sheet N/A	74530-0310	1	
21	.354 Cap Nut (Black)	0801-0604	6	48	Star Washers	0801-0330	2	Left False Motor (N/A)	76115-2149	1	
22	#8 x 2" Screw N/A	0801-0268	1	49	Motor Bolt	0801-0269	2	Left Footrest N/A	76108-2179	1	
23	Footboard Cover N/A	76108-2169	1	50	Mudflap Set (Yellow) N/A	74590-2219	1	Literature Bag (N/A)	74530-9019	1	
24	Support Rod (Rear Footrest) (N/A)	76108-4439	1	51	Windshield (N/A)	74525-2249	1	Flex Plate Cover N/A	78570-2139	1	
25	Right False Motor N/A	76115-2139	1	52	Body (N/A)	74530-2109	1	Use & Care Manual			
26	* Left Handlebar N/A	76115-4249	1					74530-CCCC N/A			
27	Support Rod (Rear Motor) (N/A)	76108-2129	1								

Bold and Underlined parts are to be purchased and installed by Service Centers only. These items may not be sold directly to consumers by Service Centers or Fisher-Price. See Service Bulletin

