

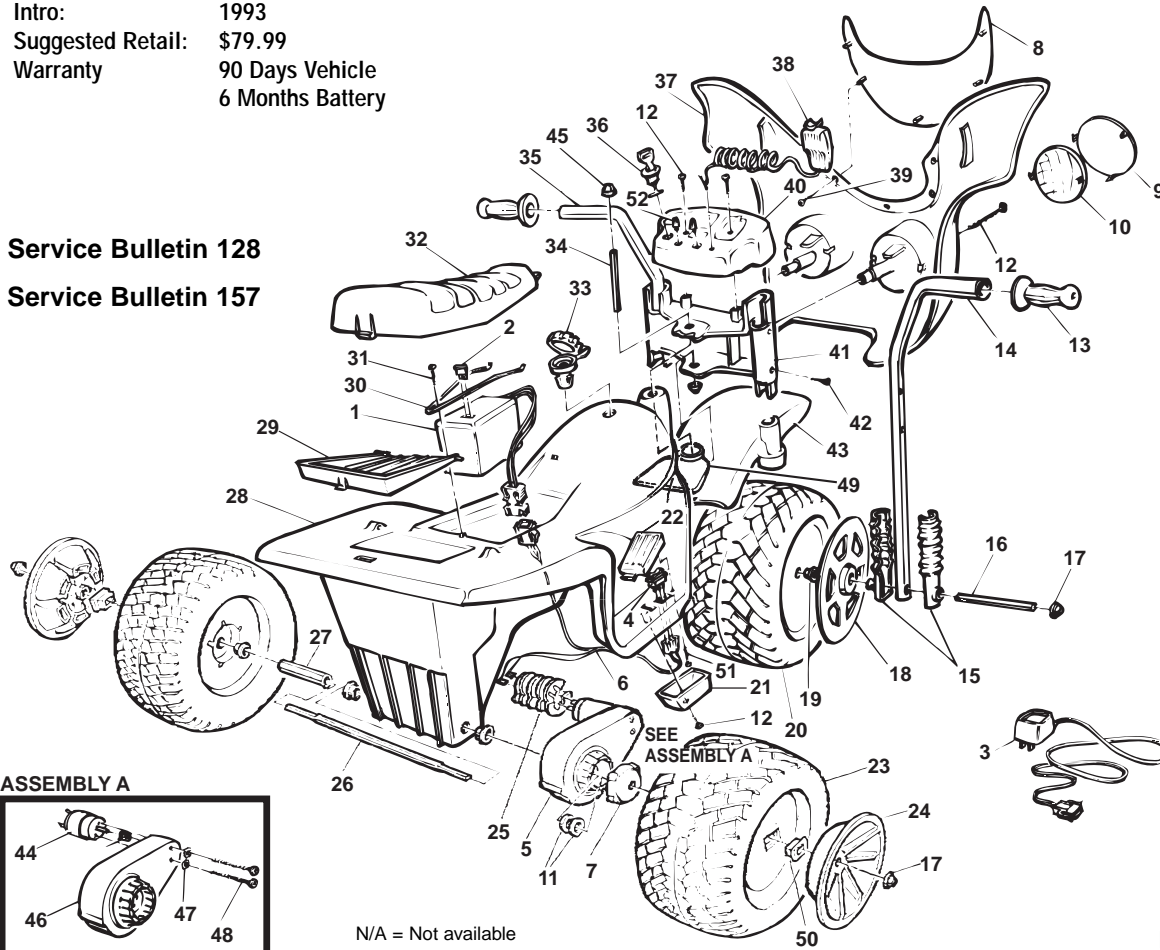
Age Range: 1-1/2 to 4 Yrs.
 Weight Limit: 50 Lbs.
 Surfaces: Hard
 Speed: 2.5 MPH
 Colors: Red Body
 Blue Seat
 Yellow Trim
 Black Tires

Intro: 1993
 Suggested Retail: \$79.99
 Warranty: 90 Days Vehicle
 6 Months Battery

74510-9993 / 84800 Mickey Mobile

Pre-School Series
Type H / 6 Volt

Service Bulletin 128
Service Bulletin 157



N/A = Not available

REV. 11/21/03

Item No.	Description	Part No.	Qty.	Item No.	Description	Part No.	Qty.	Item No.	Description	Part No.	Qty.
1	***Battery	00801-1234	1	22	Foot Pedal w/Spring Clip N/A	77410-9169	1	43	Fender (Red) N/A	80022-0029	1
2	25 amp Fuse	0801-0151	1	23	*Rear Wheel N/A	74510-2469	2	44	Motor w/ Pinion	74590-9539	1
3	Charger	00801-0975	1	24	Rear Hubcap N/A	77410-2589	2	45	.354 Retainer w/Body (Black)	0801-0604	2
4	<u>1</u> Foot Switch	<u>75527-2709</u>	1	25	Motor Cover	74750-2359	1	46	<u>3A Gearbox & Insert</u>	<u>74580-9269</u>	1
5	Motor/Gearbox Assembly	74780-9509	1	26	*Rear Axle N/A	76229-4139	1	47	<u>Star Washer N/A</u>	<u>0801-0330</u>	2
6	<u>Wiring Harness N/A</u>	<u>77410-9799</u>	1	27	Axle Spacer Tube N/A	74510-4449	1	48	<u>Motor Bolt</u>	<u>0801-0269</u>	2
7	Driver N/A	77410-2239	1	28	Body (N/A)	80005-0221	1	49	Flex Plate N/A	80001-0307	1
8	Windshield N/A No sub.	74510-2179	1	29	Trunk Lid N/A	78470-2329	1	50	Rectangular Wheel Bushing	77410-2679	2
9	Lens Cover Set	74510-915A	1	30	Battery Retainer	74510-4439	1	51	1" Screw N/A	0801-0273	1
10	Headlight Lens N/A	76871-2279	2	31	#8 x 7/8" Trusshead Screw	0801-0228	1	52	Radio Knobs N/A	76115-2189	2
11	7/16" Washer	0801-0196	2	32	Seat N/A	77410-2309	1	PARTS NOT SHOWN			
12	1-1/2" Screw	0801-0308	5	33	Gas Cap (Blue) N/A	74570-2649	1	#6 - 20 x 1" Screwn (for Swivel Bracket)	0801-0254	1	
13	Handgrip (Yellow)	74504-2219	2	34	Pivot Pin N/A	74510-4429	1	7/8" Screw for Flex Plate	0801-0228	2	
14	Right Handlebar N/A	74510-4219	1	35	Left Handlebar N/A	74510-4239	1	Handlebar Plugs N/A	74510-2169	4	
15	Shock Set N/A	80001-0433	2	36	Key Housing N/A	74550-2439	1	Literature Bag N/A	80034-0457	1	
16	Front Axle	74510-4519	1	37	Windscreen N/A	80063-0107	1	Adhesive Harness Clip	0801-0313	1	
17	.437 Retainer w/Body (Black)	0801-0226	4	38	Microphone (Yellow)	74550-9479	1	Decal Sheet N/A	80017-0168	1	
18	Front Hubcap N/A	80033-0019	2	39	3/8" Screw N/A	0801-0219	2	Large Parts Bag N/A	80043-0128	1	
19	Wheel Spacer	74550-2689	5	40	Dash N/A	77410-2719	1	Small Parts Bag N/A	77410-9259	1	
20	**Front Wheel N/A	74510-2459	1	41	Swivel Bracket N/A	74510-2129	1				
21	Footboard Cover N/A	77410-2159	1	42	3/4" Screw N/A	0801-0223	4				

* See Service Bulletin 128 † See Service Bulletin 157

** If run date is before 8-17-92, also send shock set (item #15)

*** If the run date is on 11-11-93, also send the charger (item #3). (Limited # of product effected.)

Bold and Underlined parts are to be purchased and installed by Service Centers only. These items may not be sold directly to consumers by Service Centers or Fisher-Price.

