

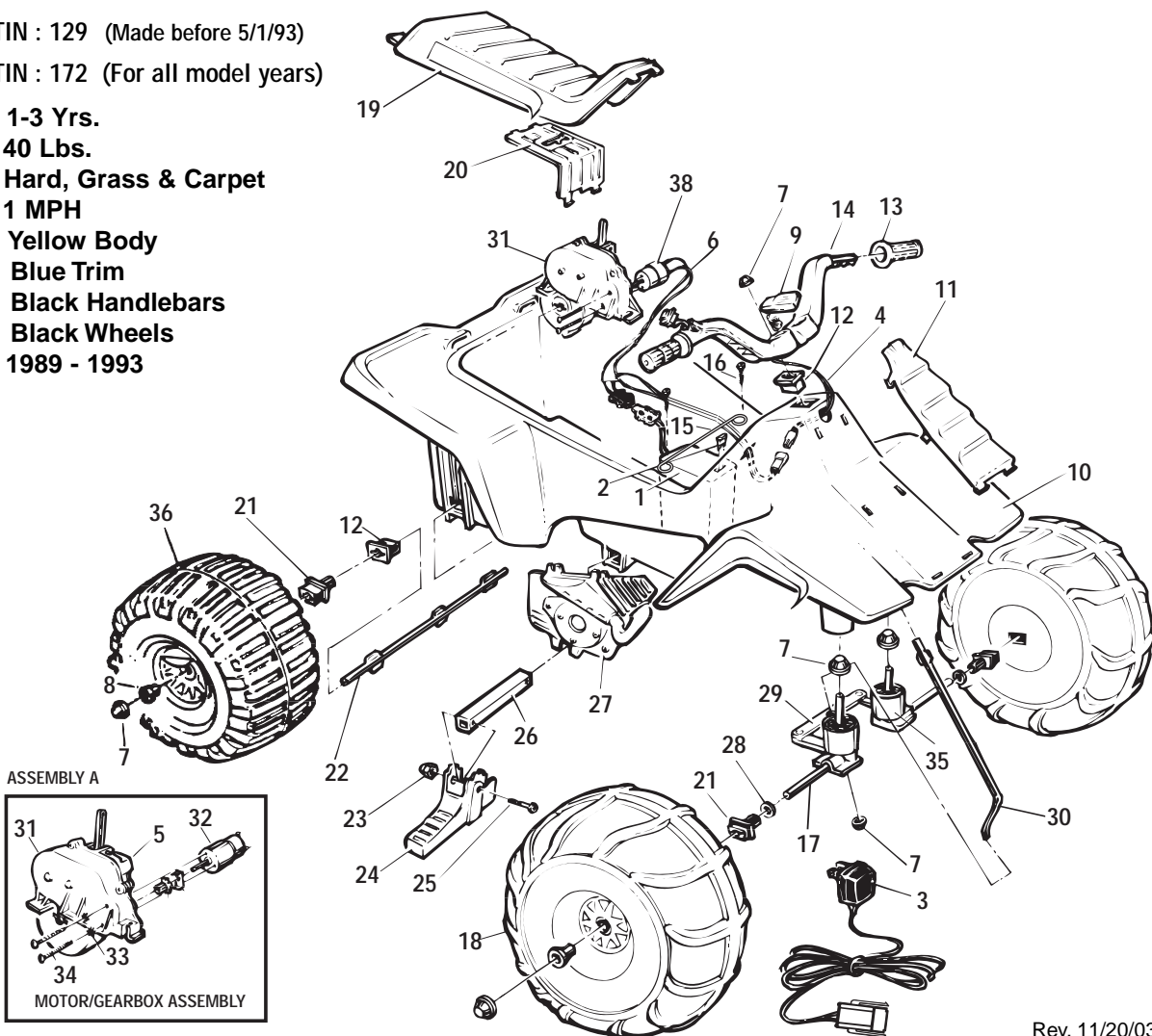


74504-9993 / 83500 Lil Suzuki®

TYPE H 6 VOLT

SERVICE BULLETIN : 129 (Made before 5/1/93)
SERVICE BULLETIN : 172 (For all model years)

Age Range: 1-3 Yrs.
Weight Limit: 40 Lbs.
Surfaces: Hard, Grass & Carpet
Speed: 1 MPH
Colors: Yellow Body
Blue Trim
Black Handlebars
Black Wheels
Available 1989 - 1993



Rev. 11/20/03

Item No.	Description	Part No.	Qty.	Item No.	Description	Part No.	Qty.	Item No.	Description	Part No.	Qty.
1	*Battery 6 Volt Type H (order suppl.insert sheet)	00801-1234	1	15	Battery Retainer	74504-4429	1	30	* Steering Column	76940-4239	1
2	25 Amp Fuse Kit N/A	0801-0151	1	16	#8 x 7/8" Trusshead Screw	0801-0228	2	31	#5 Gearbox Only	72629-9259	1
3	*6-Volt Charger (Type H)	00801-0975	1	17	* Front Axle	74504-4509	2	32	Motor w/Pinion	74590-9539	1
4	Switch Assembly	78560-9799	1	18	Front Wheel N/A	73237-2469	2	33	Star Washer N/A	0801-0330	2
5	#5 Motor/Gearbox Assy	74504-9519	1	19	Seat N/A	80067-0037	1	34	Motor Bolt	0801-0269	2
6	** Wiring Harness (Main) (N/A) 74504-9059		1	20	Motor/Gearbox Cover	73560-9489	1	35	Front Post Bushing N/A	80009-0028	2
7	.354 Cap Nut	0801-0548	8	21	* Bushing w/Long Extension	78560-2659	4	36	*** Wheel Rear N/A	73237-2459	2
8	Wheel Bushing	78560-2679	4	22	Rear Axle	74504-4539	1	PARTS NOT SHOWN			
9	Microphone	74550-9479	1	23	Acorn Nut N/A	0801-0218	2	Literature Bag N/A	80034-0542	1	
10	Body N/A	77440-2109	1	24	Footpeg N/A	77440-2159	2	Owner's Manual N/A	74504-CCCC	1	
11	Grill	80065-0032	1	25	1-1/4" Shoulder Bolt	0801-0304	2	Decal Sheet N/A	73569-0310	1	
12	* Bushing w/o Extension	74504-2549	3	26	Footpeg Support	76940-2179	1	Large Parts Bag N/A	74504-9249	1	
13	Handgrips	74504-2219	2	27	False Motor Set N/A	80021-0027	1	Small Parts Bag N/A	80044-0448	1	
14	Handlebar	76940-2139A	1	28	5/16" Washer	0801-0253	2				
				29	Steering Linkage	74504-4219	1				

* See Service Bulletin 129; *See Service Bulletin 172 N/A = Not Available

**Original harness N/A. Can substitute: harness 73560-9799 + 4 Amp battery 0801-0336 + 4 Amp charger 0801-0247.

*** If made prior to 9-12-89, please send 2 rear wheels.

Bold and Underlined parts are to be purchased and installed by Service Centers only. These items may not be sold directly to consumers by Service Centers or Fisher-Price.