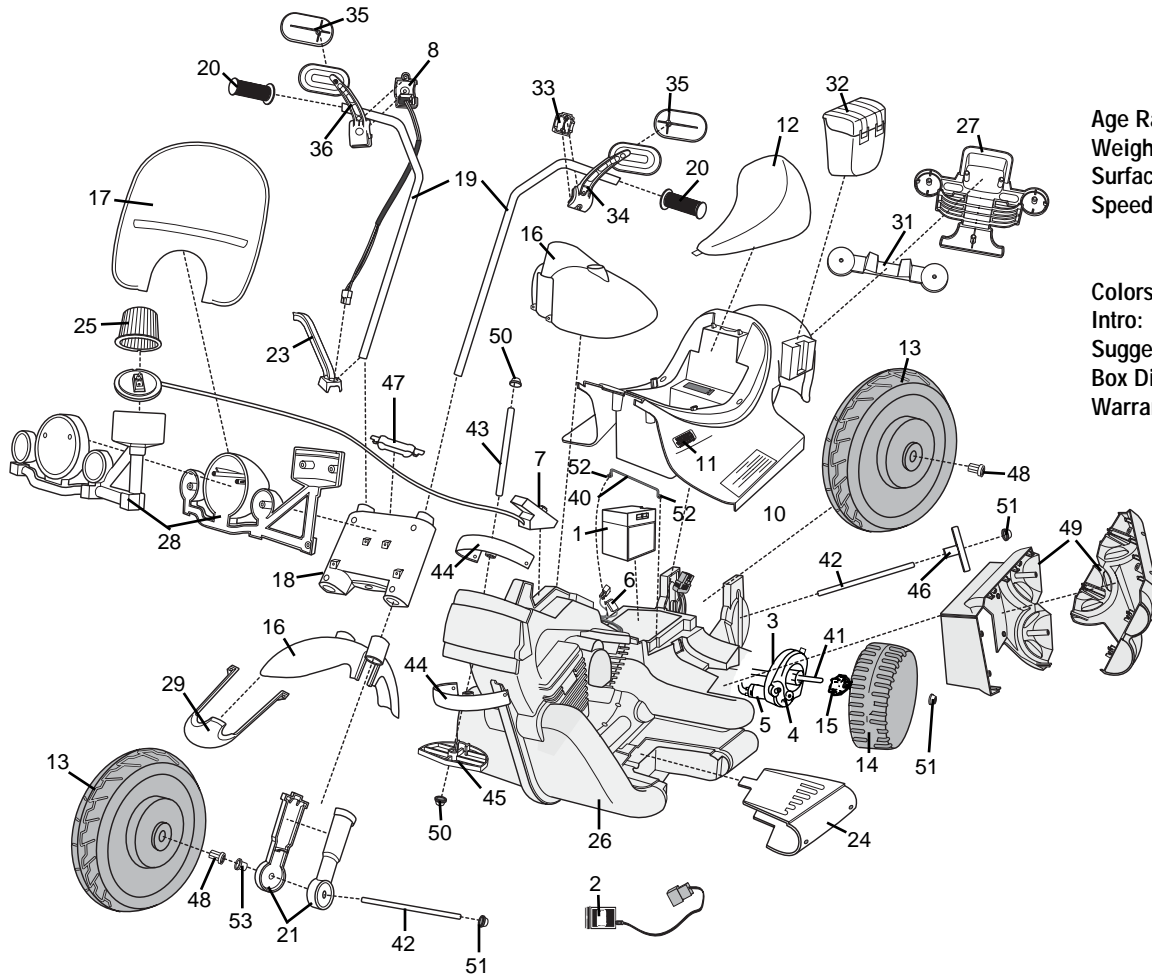




74287-9993 Police Harley

Advanced Series 12 Volt



Age Range: 3-7 years
 Weight Limit: 65 lbs
 Surfaces: Hard and grass
 Speed: 5.0 forward,
 2.5 forward,
 2.5 reverse
 Colors: Black and White
 Intro: 2001
 Suggested Retail: \$249.99
 Box Dimensions:
 Warranty: One Year Vehicle
 6 Months Battery

Rev. 08/07/03

| Item No. | Description | Part No. | Qty. | Item No. | Description | Part No. | Qty. | Item No. | Description | Part No. | Qty. |
|-----------------------------------|-------------------------------|-------------------|------|-------------------------------|------------------------|------------|------|------------------------------|---------------------|------------|------|
| Working / Electrical Parts | | | | 26 | Frame Assembly | 74287-9219 | 1 | 53 | 7/16" Round Bushing | 74550-2689 | 2 |
| 1 | Battery | 00801-0638 | 1 | 27 | Taillight | 75210-2299 | 1 | Parts Not Shown | | | |
| 2 | Charger | 00801-0972 | 1 | 28 | Police Headlight Set | 74287-9289 | 1 | Large Parts Bag | 74287-9249 | 1 | |
| 3 | Motor Gearbox Assembly | 00968-2901 | 2 | 29 | Fender Tip | 75210-2419 | 1 | Small Parts Bag | 74287-9259 | 1 | |
| 4 | Gearbox W/out Motor | 00968-2801 | 2 | 30 | PC Board | 74287-9729 | 1 | Hardware Bag | 74287-9279 | 1 | |
| 5 | Motor Pinion Assembly | 74290-9539 | 2 | 31 | Taillight Cover | 75210-2479 | 1 | Owner's Manual | 74287-0920 | 1 | |
| 6 | Main Harness Assembly | 74287-9799 | 1 | 32 | Saddle Bag | 74290-2129 | 2 | Main Decal Sheet | 74287-0310 | 1 | |
| 7 | Soundbox and Light | 74287-9569 | 1 | 33 | Mirror Clamp | 75209-2429 | 1 | Control Switch | 00801-0873 | 1 | |
| 8 | Handlebar Harness | 74287-9759 | 1 | 34 | Mirror Housing Left | 75209-2449 | 2 | Footswitch | 00801-0933 | 1 | |
| Plastic / Other Parts | | | | 35 | Mirror Lens | 75209-2469 | 2 | Paper Kit | 74287-PAPER | 1 | |
| 10 | Body | N/A | | 36 | Mirror Housing Right | 74287-2429 | 1 | Right footboard, with switch | 74370-9239 | 1 | |
| 11 | Emblem | 74460-9069 | 1 | Hardware / Metal Parts | | | | #8 x 1/2" Screw | 0801-0202 | 5 | |
| 12 | Seat | 74290-2309 | 1 | 40 | Battery Retainer | 74290-4419 | 1 | | | | |
| 13 | Wheel, Large | 74290-2159 | 2 | 41 | Axle, Drive Wheel | 74290-4509 | 1 | | | | |
| 14 | Wheel, Drive | 74290-2269 | 2 | 42 | Axle, Front/Rear Wheel | 74290-4519 | 2 | | | | |
| 15 | Driver | 73233-2239 | 2 | 43 | Fork Axle | 74290-4529 | 1 | | | | |
| 16 | Fender and Tank, Bagged | 74287-213A | 1 | 44 | Steering Bushing | 74370-2359 | 2 | | | | |
| 17 | Windshield | 74287-225A | 1 | 45 | Steering Stop | 74370-2369 | 1 | | | | |
| 18 | Front Fork (white) | 74287-2349 | 2 | 46 | Axle Bushing | 74370-2379 | 1 | | | | |
| 19 | Handle Bar Set | 74287-9029 | 1 | 47 | Fork Clamp Cover | 74370-2389 | 1 | | | | |
| 20 | Handgrip | 74290-2399 | 2 | 48 | Hex Bushing | 73233-2559 | 4 | | | | |
| 21 | Shock Set | 74370-9329 | 1 | 49 | Exhaust Set | 74370-9169 | 1 | | | | |
| 23 | Wire Cover | 74287-2439 | 1 | 50 | .354 Cap Nut Black | 0801-0604 | 3 | | | | |
| 24 | Footboard, Left | 74370-2249 | 1 | 51 | .437 Cap Nut Black | 0801-0226 | 6 | | | | |
| 25 | Lens, Flasher | 74287-2469 | 1 | 52 | #8 x 3/4" Screw | 0912-8001 | 68 | | | | |

N/A = Not Available

Bold and Underlined parts are to be purchased and installed by Service Centers only. These items may not be sold directly to consumers by Service Centers or Fisher-Price.