

Age Range: 1-3 Yrs.
 Weight Limit: 40 Lbs.
 Surfaces: Hard
 Speed: 1 MPH
 Colors: Red Body
 Yellow Trim
 Black Wheels
 Intro: 10-30-98
 Suggested Retail: \$49.99
 Box Dimensions: 24" x 13" x 13.5"
 Warranty: 90 Days

Three Modes

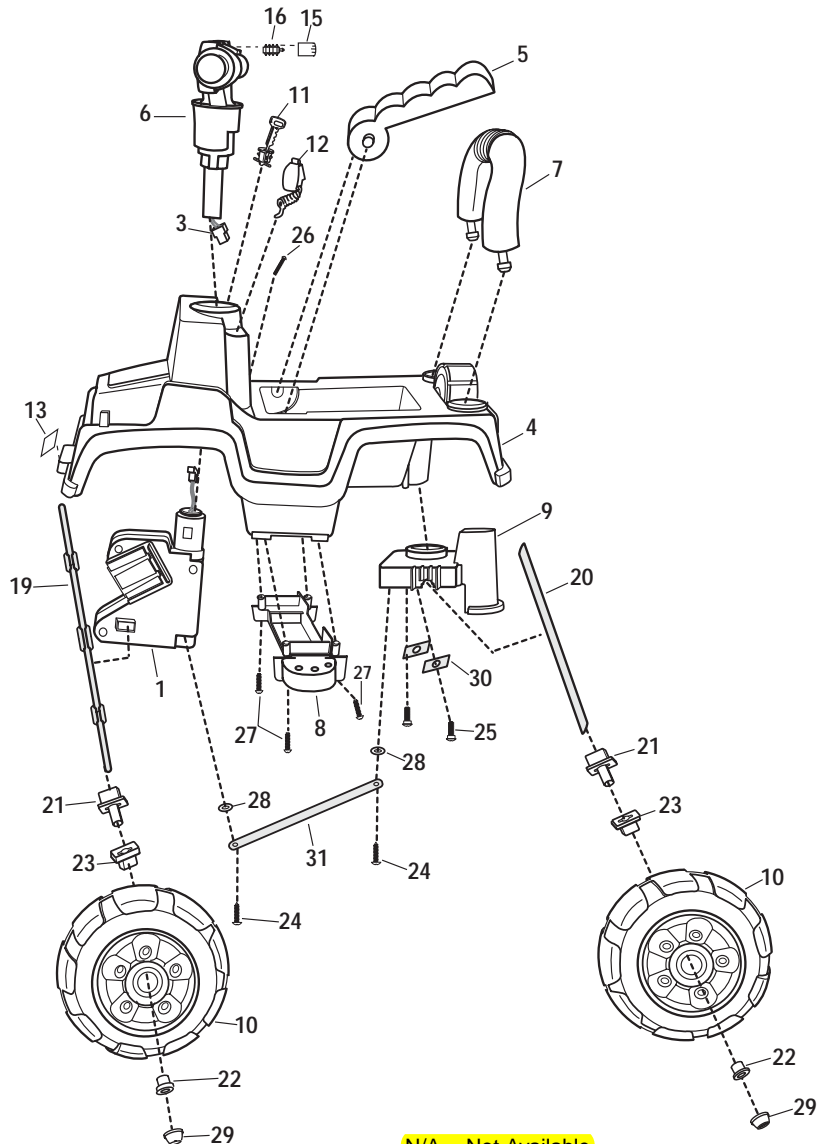
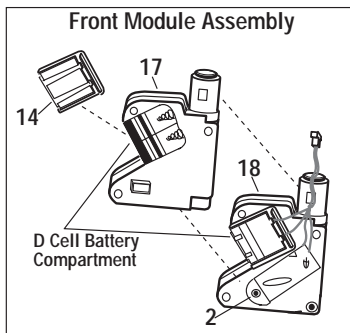
1. Non-powered walker
2. Foot-to-floor without power
3. Battery powered ride-on

74240-9993

Jeep® Junior

Toddler Series

Required 6 size "D" alkaline batteries.
Batteries not included



Rev. 07/09/03

N/A = Not Available

Item No.	Description	Part No.	Qty.	Item No.	Description	Part No.	Qty.	Item No.	Description	Part No.	Qty.
Working / Electrical Parts				13	PW Emblem	74460-9069	1	28	Round Washer	0801-0670	2
1	Front Module Assembly	74240-9016	1	14	Battery Door Assembly	74240-8170	1	29	.354 Cap Nut	0801-0548	5
2	#8 Motor Gearbox Assembly	<u>74240-9519</u>	1	15	Horn Button	74240-2249	1	30	Washer Plate	0801-0606	2
3	Switch Assm.	<u>74240-9789</u>	1	16	Bellows Assembly	71054-9099	1	31	Steering Linkage	74240-4199	1
Plastic / Other Parts				Hardware / Metal Parts				Parts Not Shown			
4	Body (N/A)	74240-2019	1	19	Front Axle	74240-4519	1	Literature Bag	74240-9019	1	
5	Seat	74240-2309	1	20	Rear Axle	74240-4529	1	Owner's Manual	74240-0920	1	
6	Handlebar Assembly	74240-9028	1	21	Bushing w/Extension	78560-2659	4	Parts Bag	74240-9249	1	
7	Sports Bar	74240-2159	1	22	Round Bushing	78560-2679	4	Decal Sheet	74240-0310	1	
8	Foot Peg Assembly	74240-8142	1	23	Rectangular Bushing	74504-2549	4				
9	Rear Axle Support	74240-2189	1	24	#8 Trusshead Shoulder Screw	74240-4419	2				
10	Wheel	74240-2459	4	25	#8 x 7/8" Trusshead Screw	0912-8012	2				
11	Key Assembly	74550-2439	1	26	#8 x 1-1/4" Screw	0912-8005	1				
12	Microphone	74770-9489	1	27	#8 x 3/4" Screw	0912-8001	4				

Bold and Underlined parts are to be purchased and installed by Service Centers only. These items may not be sold directly to consumers by Service Centers or Fisher-Price.

