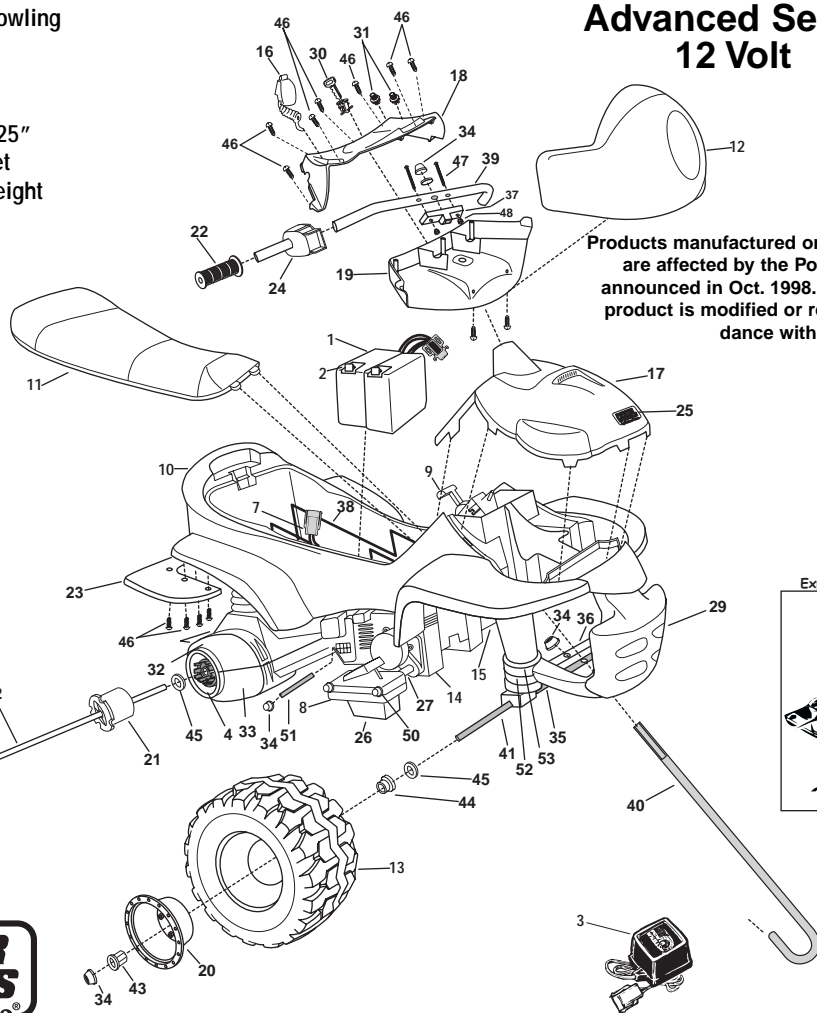
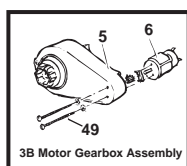


Age Range: 3-7 Yrs.
 Weight Limit: 65 Lbs.
 Surfaces: Hard, Grass & Hills
 Speed: 2.5 & 5.0 MPH Forward
 2.5 MPH Reverse
 Colors: Black Body & Wheels
 Green Seat & Cowling
 Yellow Trim
 Intro: 12-14-98
 Suggested Retail: \$179.99
 Box Dimensions: 40.25" x 19" x 25"
 11.12 Cubic Feet
 51 Lbs. Ship Weight

74110-9993 Kawasaki® Ninja®

Advanced Series 12 Volt

Service bulletin 160
 Service bulletin 162



Products manufactured on or prior to 2/15/1999 are affected by the Power Wheels recall announced in Oct. 1998. Please confirm that product is modified or remediated in accordance with policy



Rev 10/02/03

Item No.	Description	Part No.	Qty.	Item No.	Description	Part No.	Qty.	Item No.	Description	Part No.	Qty.
Working / Electrical Parts											
1	* Battery	00801-0712	2	22	Handgrip Set	74110-9229	1	50	.354 Cap Nut (black)	0801-0604	4
2	Thermal Fuse	00801-0711	2	23	Mud Flap Set	74110-9289	1	51	Motor Rod Lower	74110-4569	1
3	* †12V Charger	00801-0973	1	24	Sound Box Assembly	74750-9449	1	52	Front Post Bushing Lower	74110-2639	2
4	<u>3B Motor Gearbox Assembly</u>	<u>74110-9519</u>	2	25	PW Emblem	74460-9069	1	53	Front Post Bushing Upper	74110-2129	2
5	<u>Gearbox W/out Motor</u>	<u>74550-9279</u>	2	26	Footboard / Lower	74110-2179	1	Parts Not Shown			
6	<u>Motor Pinion Assembly</u>	<u>74110-9539</u>	2	27	Footboard Support	76262-4439	2	Footrest	74110-2189		1
7	<u>Wiring Harness: Motor</u>	<u>74110-9799</u>	1	29	Brushguard	74110-2079	1	Motor Housing Bottom	74110-2159		1
7	<u>* Wiring Harness: Shifter</u>	<u>74110-9889</u>	1	30	Key Housing Assm.	78490-9369	1	Motor Housing Top	74110-2149		1*
8	Footboard Assembly	74110-9169	1	31	Radio Knob	74510-2149	2	#8 x 3/4" Phillips Screw for housings			
9	<u>Shifter w/harness assembly</u>	<u>73690-0973</u>	1	Hardware / Metal Parts							
	Shifter Assm.	74110-9439	1	34	.437 Cap Nut - (black)	0801-0226	6	†Large Parts Bag (N/A) Please order parts separately			
	Lock out Screw	0801-0254	1	35	Steering Linkage Assm.	74110-9239	1	74110-9349 1			
Plastic / Other Parts											
10	<u>Body (N/A)</u>	74110-9109	1	36	Crossbar	73690-4649	1	* †Small Parts Bag (no longer made) 74110-9359 1			
11	Seat	74110-2309	1	37	Powdered Metal Neck	76816-4289	1	Hardware Bag 74110-9279 1			
12	Fairing / Front	74110-274A	1	38	* Battery Retainer	78490-4029	1	* †Literature Bag 74110-9029 1			
13	Wheel	74110-2469	4	39	Handlebar	74750-4229	1	* †Owner's Manual (N/A) 74110-0920 1			
14	False Motor Cover / Right	74110-2059	1	40	Steering Column	74110-4249	1	Decal Sheet 74110-0310 1			
15	False Motor Cover / Left	74110-2069	1	41	Front Axle	74110-4509	2	Clip Adhesive 0801-0313 1			
16	Microphone	74110-9479	1	42	Rear Axle (21.8")	74110-4549	1	12 Volt Remediation Kit 0801-0715 1			
17	Cowling Assembly	74110-9099	1	43	Hex Bushing	73233-2559	4	<u>Shifter Switch</u> 00801-0923 1			
18	Dash - Upper	74110-275A	1	44	Axle Bushing	74550-2689	2	Capnut tool 78640-2629 1			
19	Dash - Lower No sub.	74110-2769	1	45	7/16" Washer	0801-0196	6				
20	Hubcap	74110-2579	4	46	#8 x 3/4" Phillips Screw	0801-0223	19				
21	Driver (10 Rib)	74460-2249	2	47	#10 x 1-1/2" Phillips Screw	76222-4459	2				
				48	#10 Nylock Lock Nut	0801-0318	2				
				49	<u>Motor Bolts</u>	<u>0801-0269</u>	2				

* = See Service Bulletin 162 † See Service Bulletin 160 if made after 2-15-99

(N/A) = Not Available

Bold and Underlined parts are to be purchased and installed by Service Centers only. These items may not be sold directly to consumers by Service Centers or Fisher-Price.