

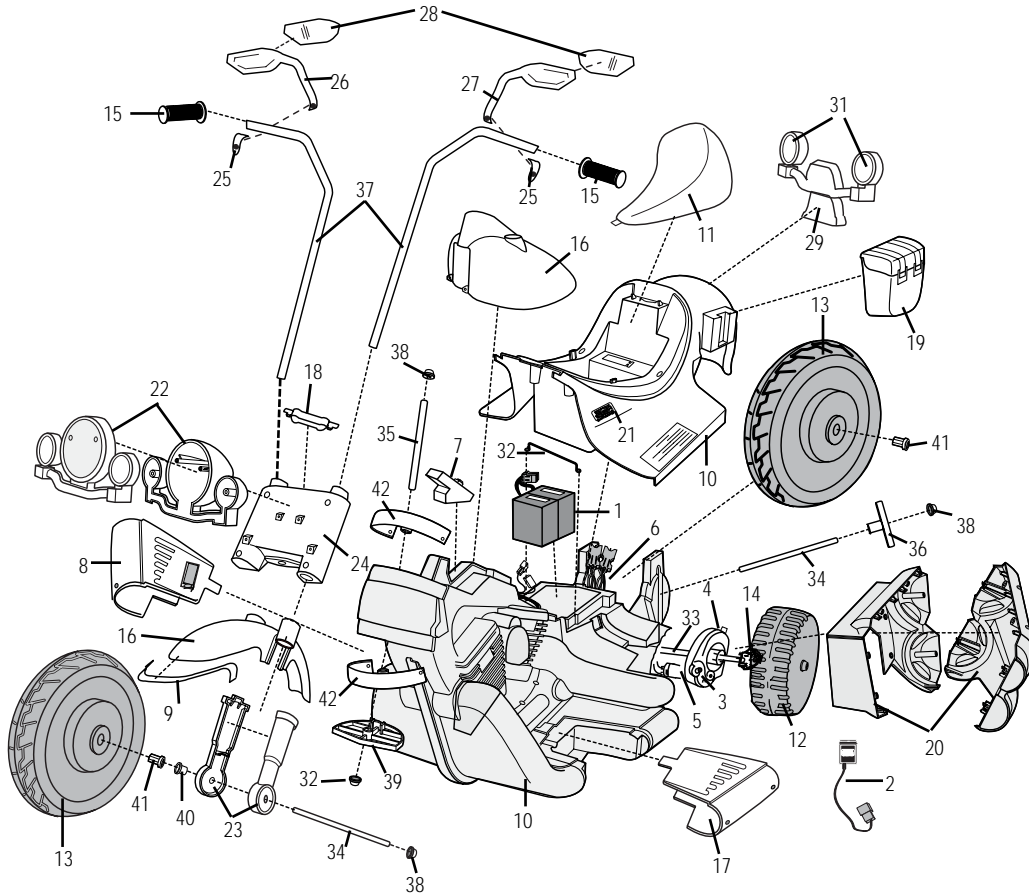
For 73218-9993 Harley Davidson Motorcycles **made before 6/10/02**



73218-9993 Harley

Advanced Series 12 Volt

Age Range: 3 to 7
 Weight Limit: 65 lbs
 Surfaces: Hard and grass
 Speed: 2.5/5.0
 Forward
 2.5 reverse
 Colors: Black and Grey
 Intro: 2001
 Suggested Retail: \$199.99
 Box Dimensions: 40 x 20 x 25
 Warranty
 One Year Vehicle
 6 Months Battery



Rev. 09/24/03

Item No.	Description	Part No.	Qty.	Item No.	Description	Part No.	Qty.	Item No.	Description	Part No.	Qty.
Working / Electrical Parts											
1	Battery Super 6 volt	00801-0712	2	24	Upper fork	75200-2349	1	Parts Not Shown			
2	Charger	00801-0973	1	25	Mirror Clamp	75209-2429	2	Large Parts Bag N/A	73218-9249	1	
3	Motor Gearbox Assembly	00968-2901	2	26	Mirror Housing Left	75209-2449	1	Small Parts Bag N/A	73210-9139	1	
4	Gearbox W/out Motor	00968-2801	2	27	Mirror Housing Right	75209-2459	1	Hardware Bag N/A	73210-9279	1	
5	Motor Pinion Assembly	74290-9539	2	28	Mirror Lens Set	75209-2469	1	Sub Hardware Bag	73210-9289	1	
6	Main Harness Assembly	74290-9799	1	29	Tail Light	75210-2299	1	Paper Kit N/A	73218-paper	1	
7	Sound box	74290-9559	1	31	Tail Light Cover	75210-2479	2	Paper Kit contains manual and both Decal sheets			
8	Right Footboard with switch	74370-9239	1	Hardware / Metal Parts				32	Battery Retainer	74290-4419	1
Plastic / Other Parts				33	Drive Wheel Axle	74290-4509	1	33	Drive Wheel Axle	74290-4509	1
9	Fender Tip	75210-2419	1	34	Front and rear axle	74290-4519	2	34	Front and rear axle	74290-4519	2
10	Body	N/A	1	35	Fork Axle	74290-4529	1	35	Fork Axle	74290-4529	1
11	Seat	74290-2309	1	36	Axle Bushing	74370-2379	2	36	Axle Bushing	74370-2379	2
12	Wheel, Drive	74290-2269	2	37	Handle Bar Set	74290-9029	1	37	Handle Bar Set	74290-9029	1
13	Wheel Large	74290-2159	1	38	.354 Cap Nut	0801-0604	5	38	.354 Cap Nut	0801-0604	5
14	Driver	73233-2239	2	39	Steering Stop	74370-2369	1	39	Steering Stop	74370-2369	1
15	Hand grip	74290-2399	2	40	7/16" Round Bushing	74550-2689	2	40	7/16" Round Bushing	74550-2689	2
16	†Fender and Gas Tank Set	74287-213A	1	41	Hex bushing	73233-2559	2	41	Hex bushing	73233-2559	2
17	Left Footboard	74370-2249	1	42	Steering Bushing	74370-2359	2	42	Steering Bushing	74370-2359	2
18	Fork Clamp/cover	74370-2389	1								
19	Saddle bag	74290-2129	2								
20	Exhaust Set	3800-6698	1								
21	Power Wheels Emblem	74460-9069	1								
22	Headlight Set N/A	74370-9289	1								
23	Shock Set	74370-9329	1								

N/A = Not Available † Gas tank and Front Fender are available only as a set, 74287-213A.

Bold and Underlined parts are to be purchased and installed by Service Centers only. These items may not be sold directly to consumers by Service Centers or Fisher-Price.

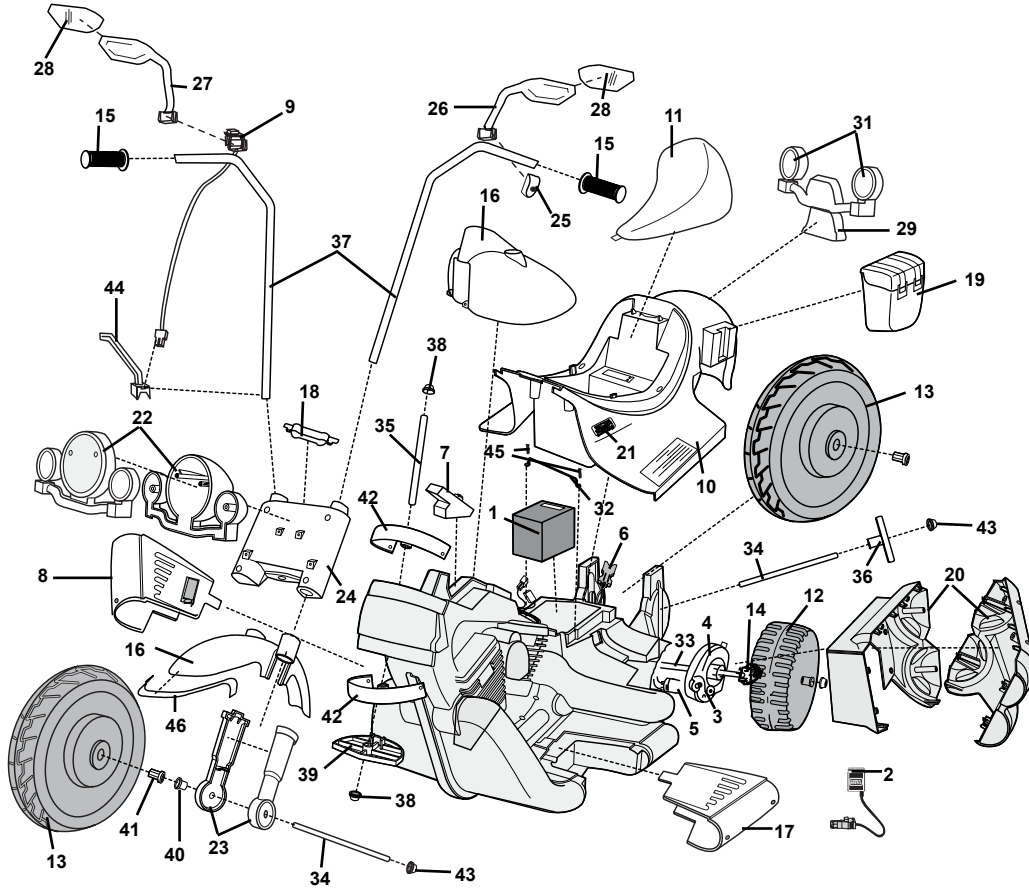
For 73218-9993 Harley Davidson Motorcycles **made after 6/10/02**



73218-9993 Harley

Advanced Series 12 Volt

Age Range: 3 to 7
 Weight Limit: 65 lbs
 Surfaces: Hard and grass
 Speed: 2.5/5.0
 Forward
 2.5 reverse
 Colors: Black and Grey
 Intro: 2001
 Suggested Retail: \$199.99
 Box Dimensions: 40 x 20 x 25
 Warranty
 One Year Vehicle
 6 Months Battery



Rev. 04/08/04

Item No.	Description	Part No.	Qty.	Item No.	Description	Part No.	Qty.	Item No.	Description	Part No.	Qty.
Working / Electrical Parts								Parts Not Shown			
1	Battery	00801-0638	1	24	Upper fork	75200-2349	1	Large Parts Bag	73218-9299	1	
2	Charger	00801-0972	1	25	Mirror Clamp	75209-2429	1	Hardware Bag	73210-9289	1	
3	Motor Gearbox Assembly	00968-2901	2	26	Mirror Housing Left	75209-2449	1	Footswitch	00801-0933	1	
4	Gearbox W/out Motor	00968-2801	2	27	Mirror Housing Right	74287-2429	1	Control Switch	00801-0873	1	
5	Motor Pinion Assembly	74290-9539	2	28	Mirror Lens	75209-2469	2	Decal Sheet	73218-0330	1	
6	Main Harness Assembly	74287-9799	1	29	Tail Light	75210-2299	2	Manual	73218-0921	1	
7	Sound box	74290-9559	1	31	Tail Light Cover	75210-2479	1	PC Board	74287-9729	1	
8	Right Footboard with switch	74370-9239	1	Hardware / Metal Parts				#8 x 1/2" Screw	0801-0202	5	
9	Handlebar harness with Cover	74287-9759	1	32	Battery Retainer	74290-4419	1				
Plastic / Other Parts				33	Drive Wheel Axle	74290-4509	1				
10	Body N/A	73218-2109	1	34	Front and rear axle	74290-4519	2				
11	Seat	74290-2309	1	35	Fork Axle	74290-4529	1				
12	Wheel, Drive	74290-2269	2	36	Axle Bushing	74370-2379	2				
13	Wheel Large	74290-2159	2	37	Handle Bar Set	74287-9029	1				
14	Driver	73233-2239	2	38	.354 Cap Nut	0801-0604	3				
15	Hand grip	74290-2399	2	39	Steering Stop	74370-2369	1				
16	Fender and Gas Tank Set	3800-6879	1	40	7/16" Round Bushing	74550-2689	2				
17	Left Footboard	74370-2249	1	41	Hex bushing	73233-2559	6				
18	Fork Clamp/cover	74370-2389	1	42	Steering Bushing	74370-2359	2				
19	Saddle bag	74290-2129	2	43	.437 Cap Nut	0801-0226	6				
20	Exhaust Set	3800-6698	1	44	Wire Cover	74287-2439	1				
21	Power Wheels Emblem	74460-9069	2	45	#8 x 3/4" Screw	0912-8001	61				
22	Headlight Set N/A	74370-9289	1	46	Fender Tip	75210-2419	1				
23	Shock Set	74370-9329	1								

N/A = Not Available

† Gas tank and Front Fender are available only as a set.

Bold and Underlined parts are to be purchased and installed by Service Centers only. These items may not be sold directly to consumers by Service Centers or Fisher-Price.